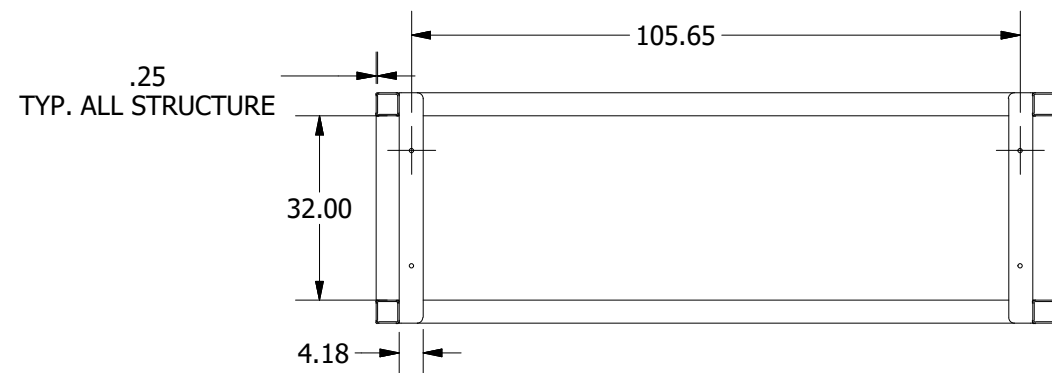
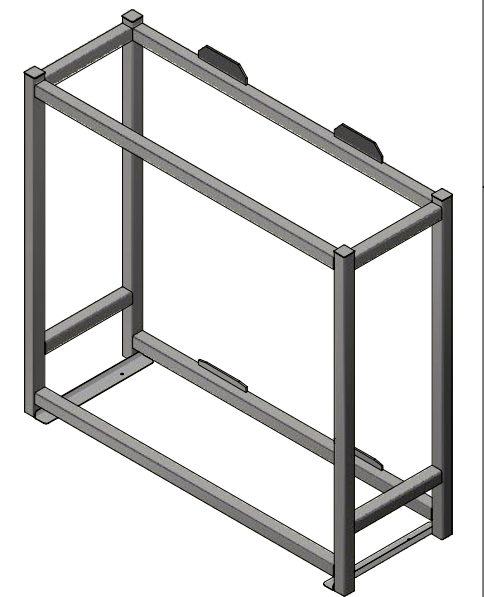
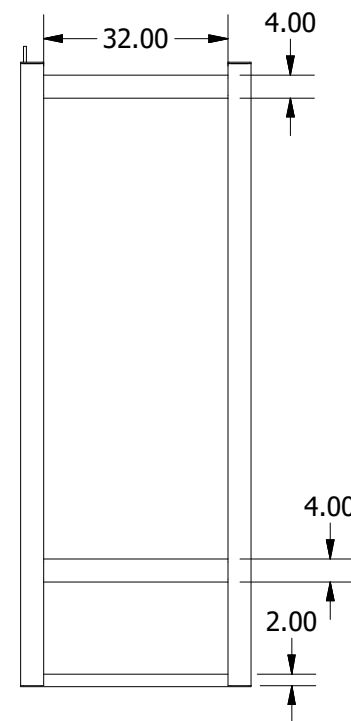
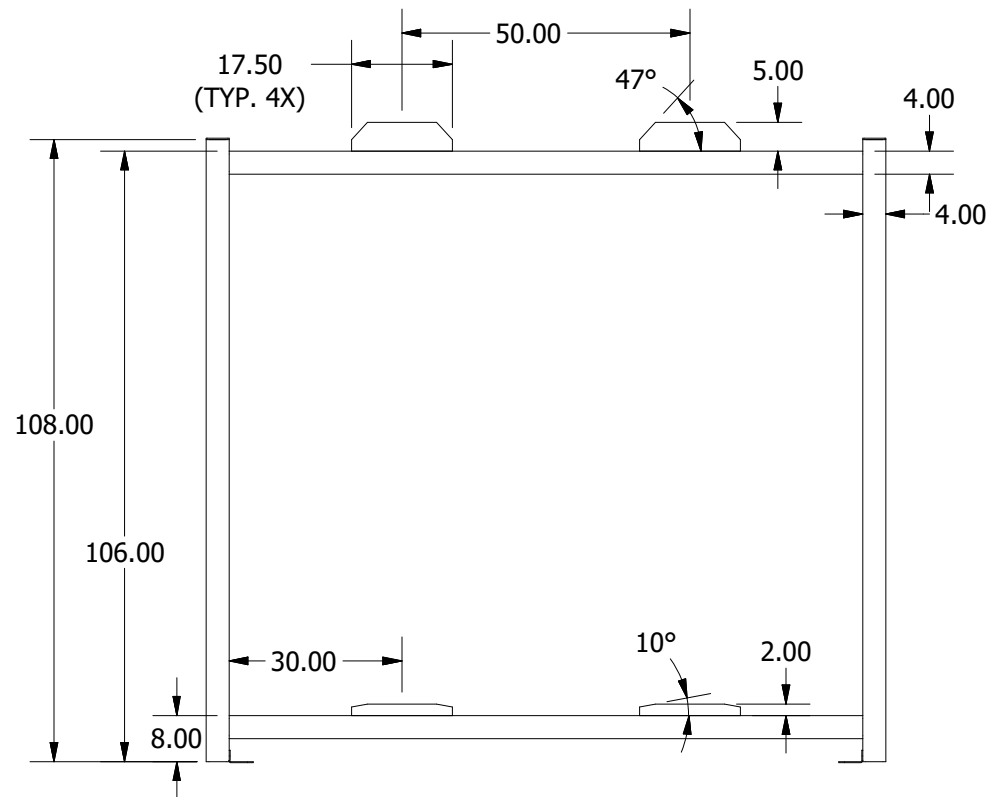
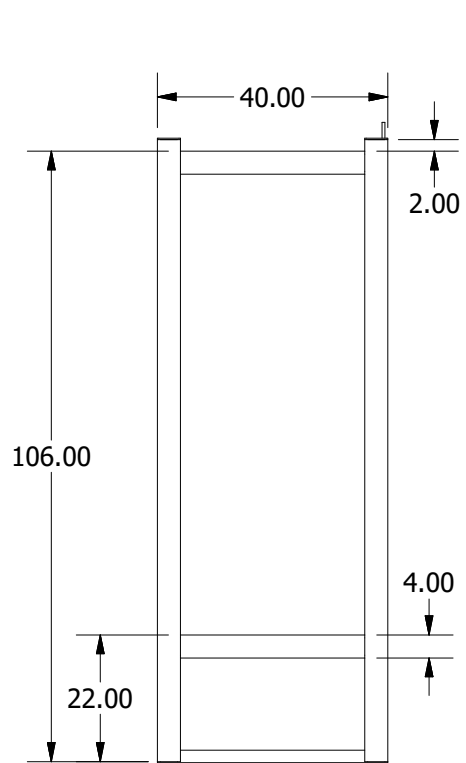


PARTS LIST			
ITEM	QTY	PART NUMBER	DESCRIPTION
1	4	AISC - 4 x 4 x 1/4 - 108	Tube
2	4	AISC - 4 x 4 x 1/4 - 110	Tube
3	4	AISC - 4 x 4 x 1/4 - 32	Tube
4	2	PALLET RACK PICKET - .5	
5	2	PALLET RACK - ANCHOR - 7GA	
6	4	4 X 4 CAP - 7GA	
7	2	PALLET RACK PICKET - .5 - 2IN	

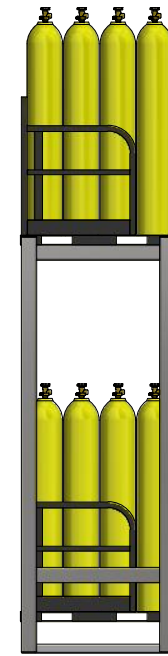
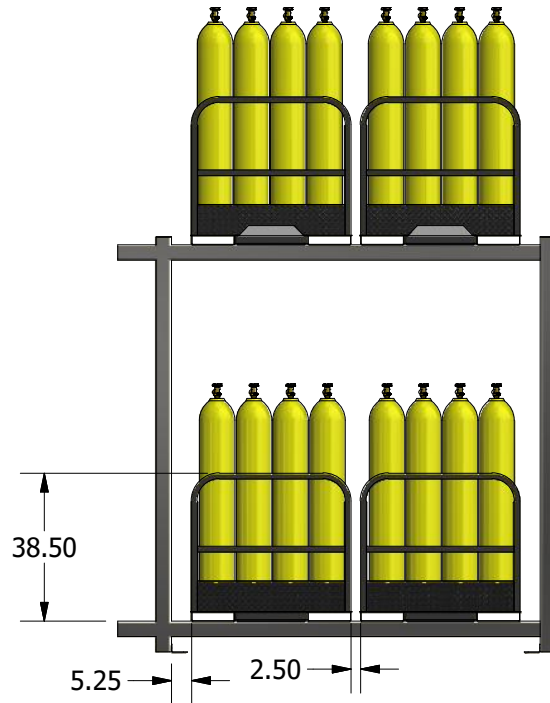
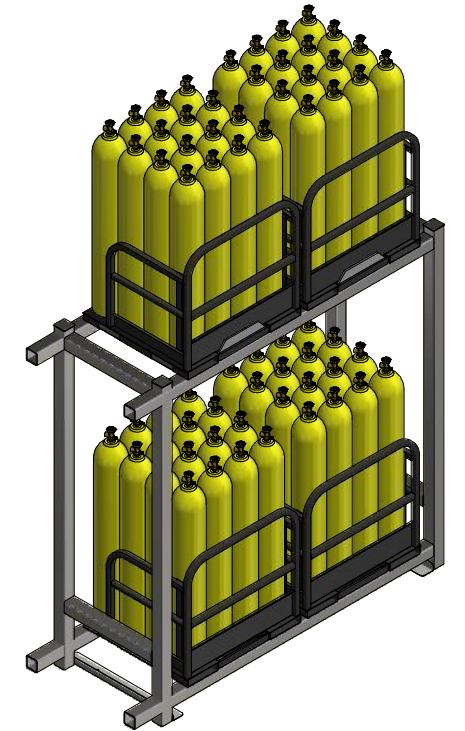
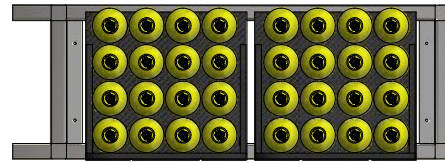
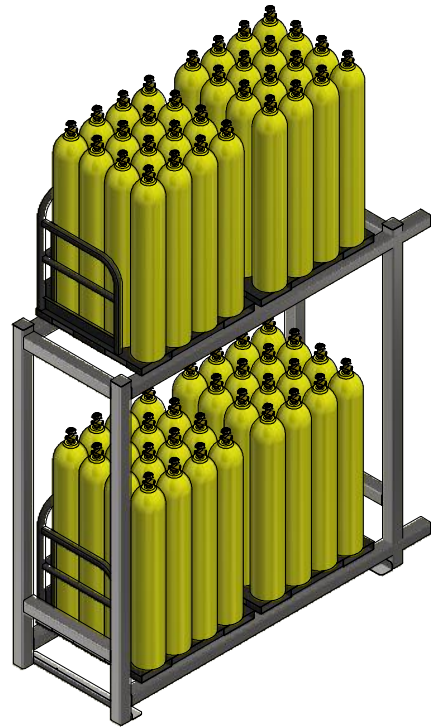


IMPORTANT - PROPRIETARY AND CONFIDENTIAL
 THE INFORMATION, INCLUDING THE PRINCIPLES OF DESIGN PRESENTED BY THIS PRINT, IS THE EXCLUSIVE PROPERTY OF SAFTCART INC., AND IS CONFIDENTIAL INFORMATION, THIS INFORMATION IS SUBMITTED TO YOU WITH THE AGREEMENT THAT IT IS NOT TO BE REPRODUCED, COPIED, OR LOANED.

DRAWN
 REID WALKER
 CHECKED
 WELBY WJ
 QA/CWI
 HARVEY STURDIVANT
 MFG
 JAMES JACO
 APPROVED
 JIMMY WALKER
 11/6/2018
 DIMENSIONS ARE IN INCHES UNLESS SPECIFIED OTHERWISE DO NOT TAKE DIMENSIONS FROM DRAWING
 ALL STRUCTURAL MEMBERS ARE ASTM A-36 CARBON STEEL U.N.O. BASED ON ASME Y14.36M-1989
 ALL FILLET WELDS ARE 5/16" U.N.O.



PALLET RACK - 4 STD - SPECIAL			
SIZE	MATERIAL	DWG NO	REV
B	VARIABLES	PALLET RACK - 4 STD - SPECIAL	
SCALE	VARIABLES	SHEET 1 OF 2	



IMPORTANT - PROPRIETARY AND CONFIDENTIAL
 THE INFORMATION, INCLUDING THE PRINCIPLES OF DESIGN PRESENTED BY THIS PRINT, IS THE EXCLUSIVE PROPERTY OF SAFTCART INC., AND IS CONFIDENTIAL INFORMATION, THIS INFORMATION IS SUBMITTED TO YOU WITH THE AGREEMENT THAT IT IS NOT TO BE REPRODUCED, COPIED, OR LOANED.

DRAWN REID WALKER	11/6/2018
CHECKED WELBY WU	
QA/CWI HARVEY STURDIVANT	
MFG JAMES JACO	
APPROVED JIMMY WALKER	
DIMENSIONS ARE IN INCHES UNLESS SPECIFIED OTHERWISE DO NOT TAKE DIMENSIONS FROM DRAWING	
ALL STRUCTURAL MEMBERS ARE ASTM A-36 CARBON STEEL U.N.O. BASED ON ASME Y14.36M-1989	
ALL FILLET WELDS ARE 5/16" U.N.O.	



PALLET RACK - 4 STD - SPECIAL			
SIZE B	MATERIAL VARIES	DWG NO PALLET RACK - 4 STD - SPECIAL	REV
SCALE VARIES	SHEET 2 OF 2		