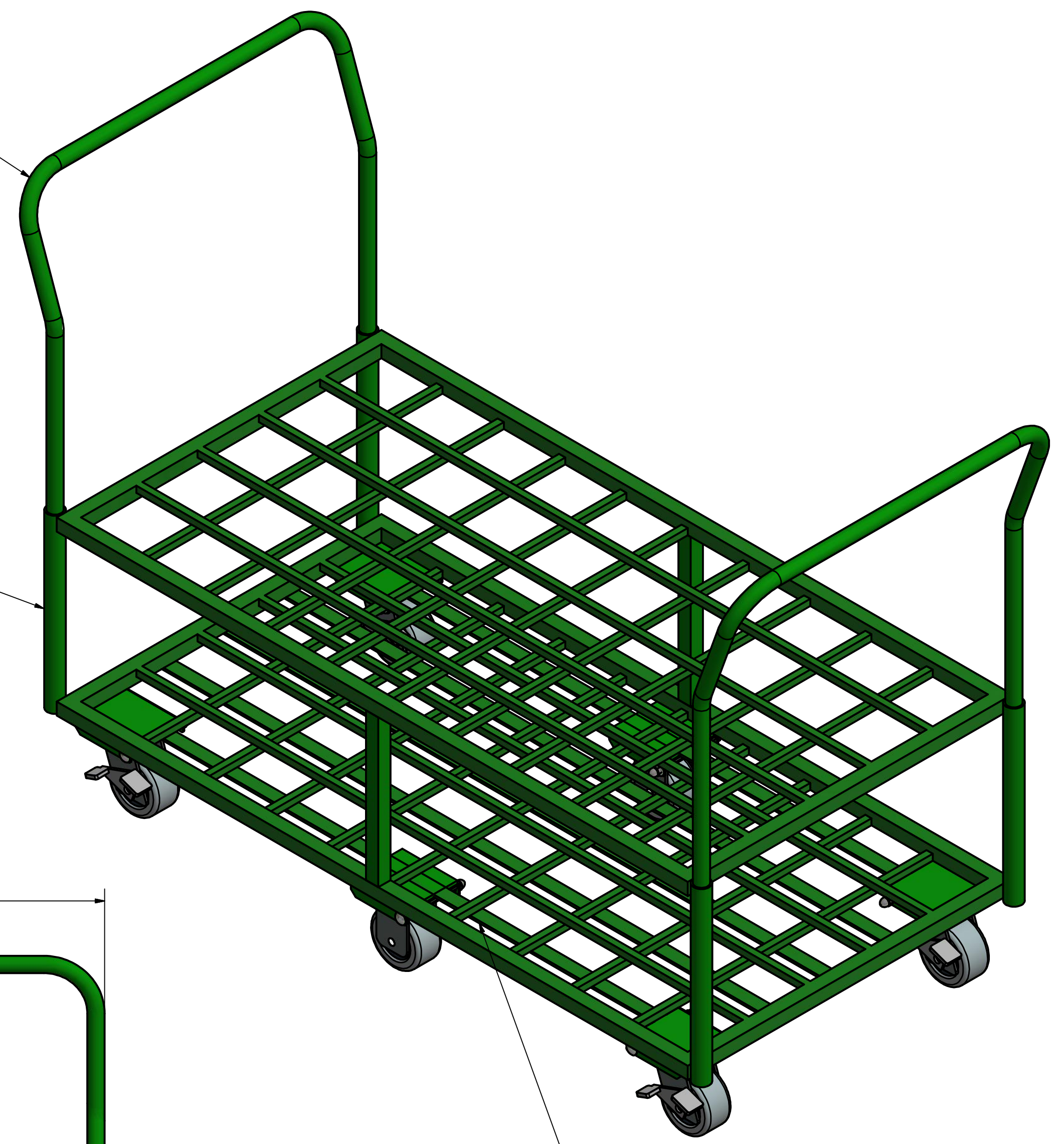
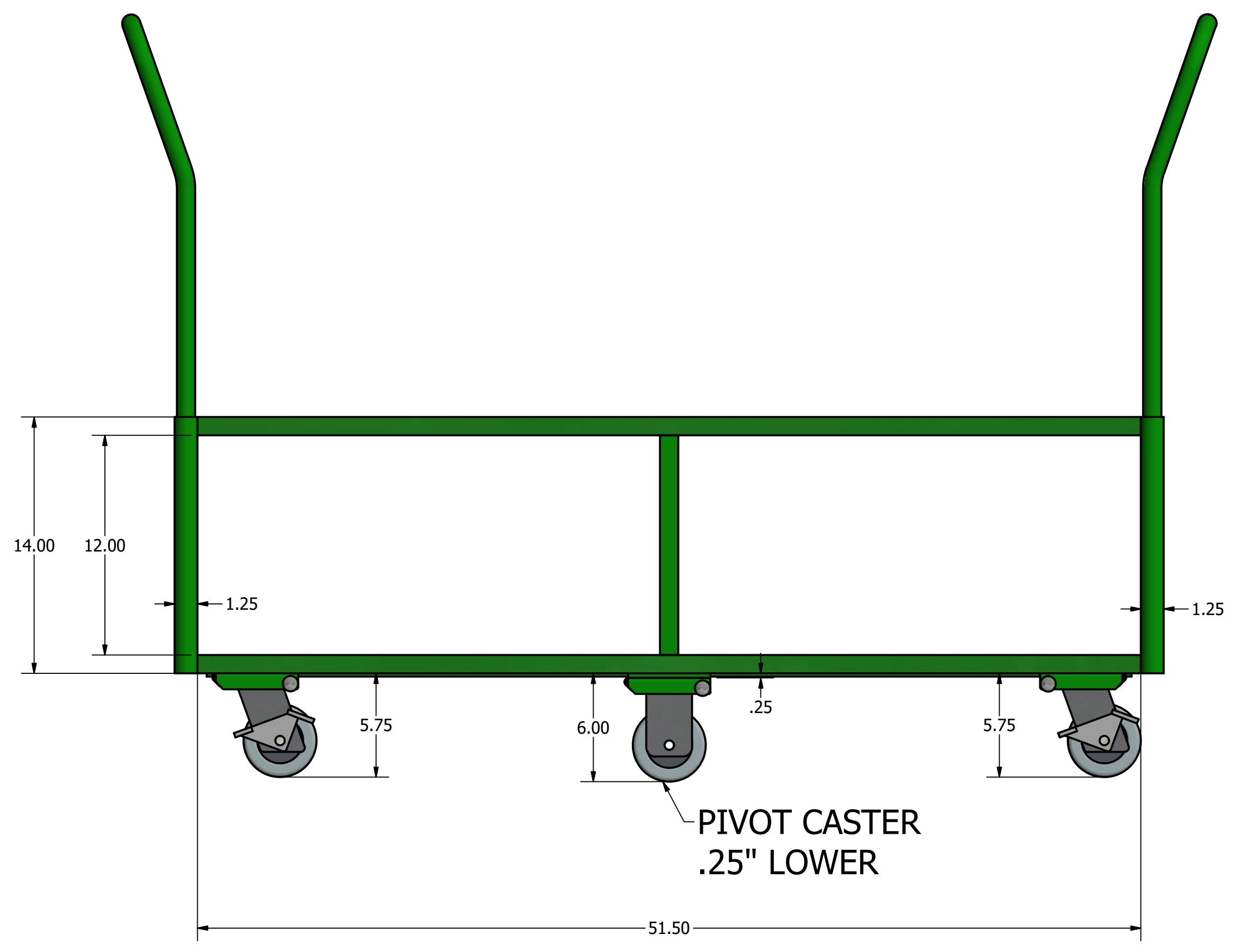


REMOVABLE HANDLES
(FRONT AND REAR)

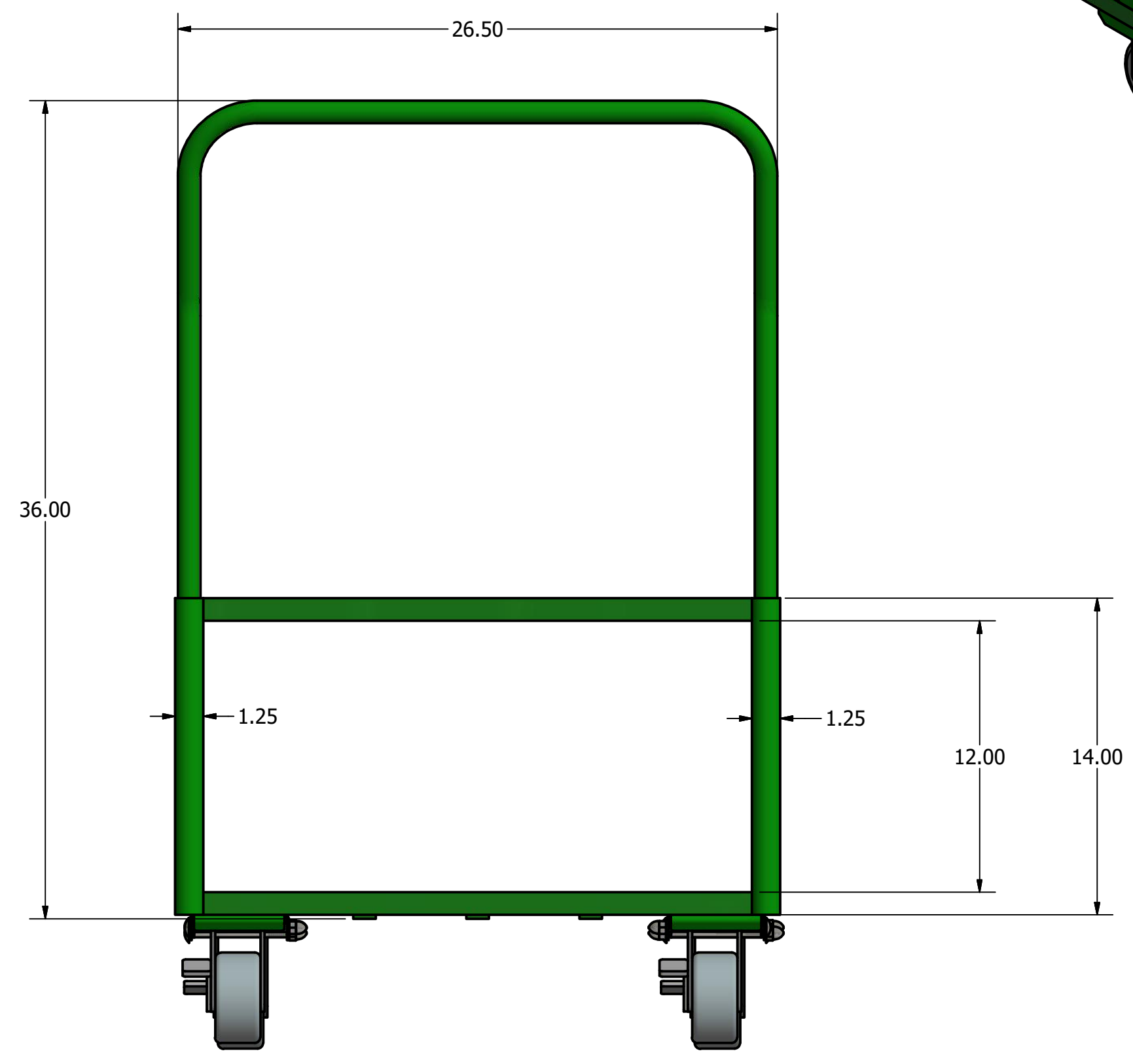
RECEIVER TUBE
(ALL 4 CORNERS)



FLAT IRON UNDER EACH
ROW (CYLINDER STOP)



PIVOT CASTER
.25" LOWER



DRAWN	8/8/2016	TITLE	
COURT			
CHECKED			
QA			
MFG			
APPROVED			
SIZE	D	DWG NO	REV
SCALE	.18	MDE-50V	
			SHEET 1 OF 1