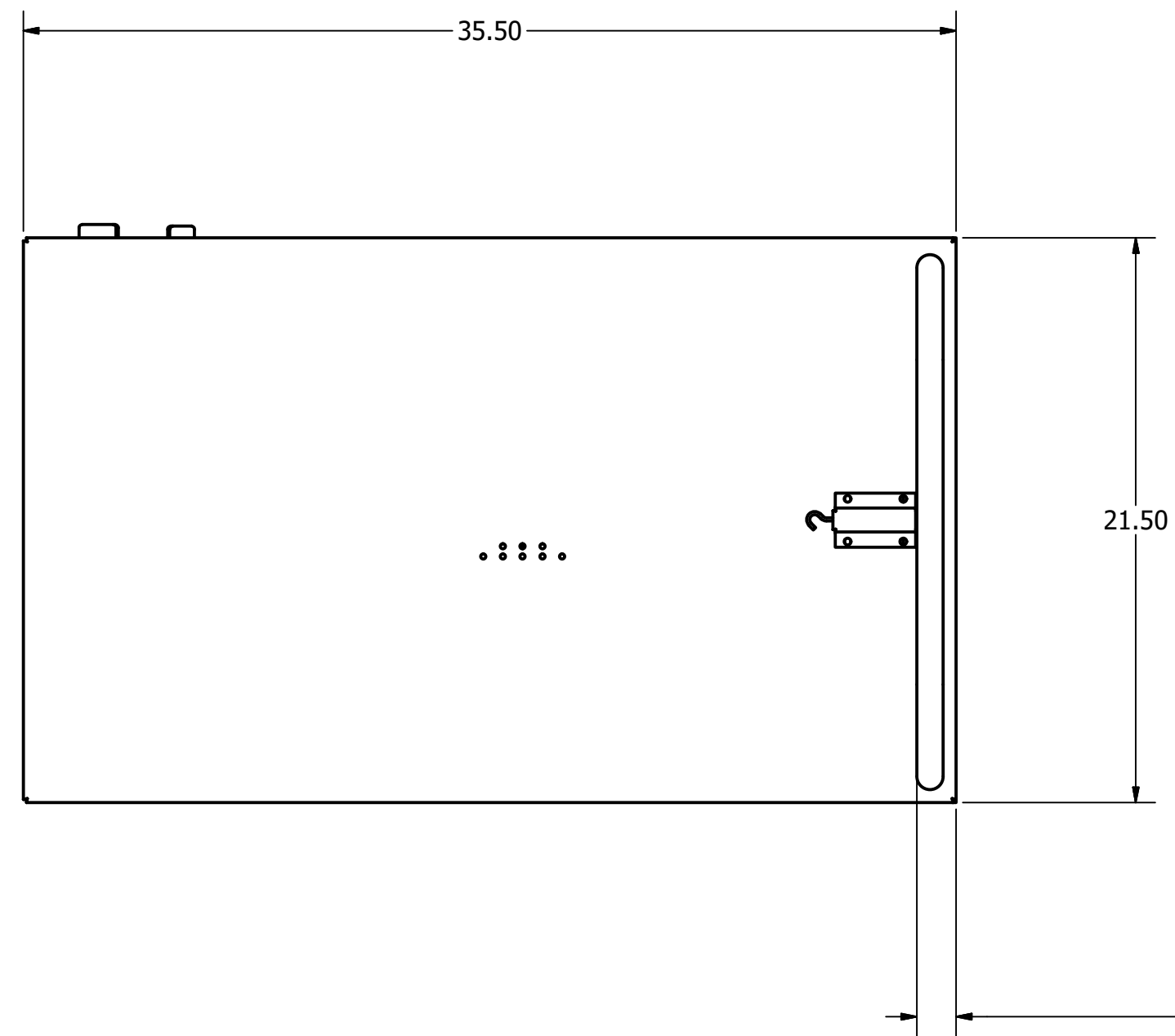
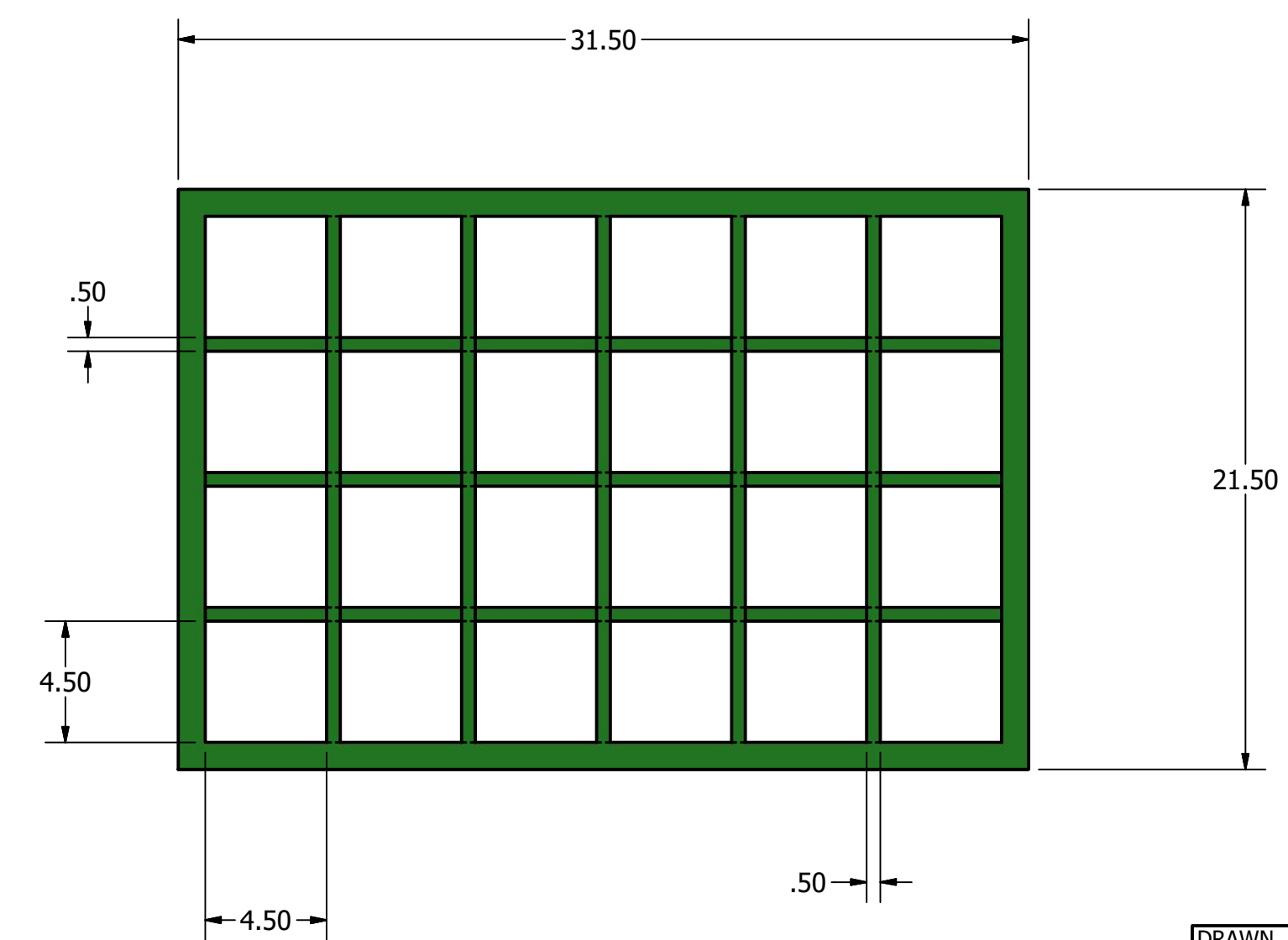
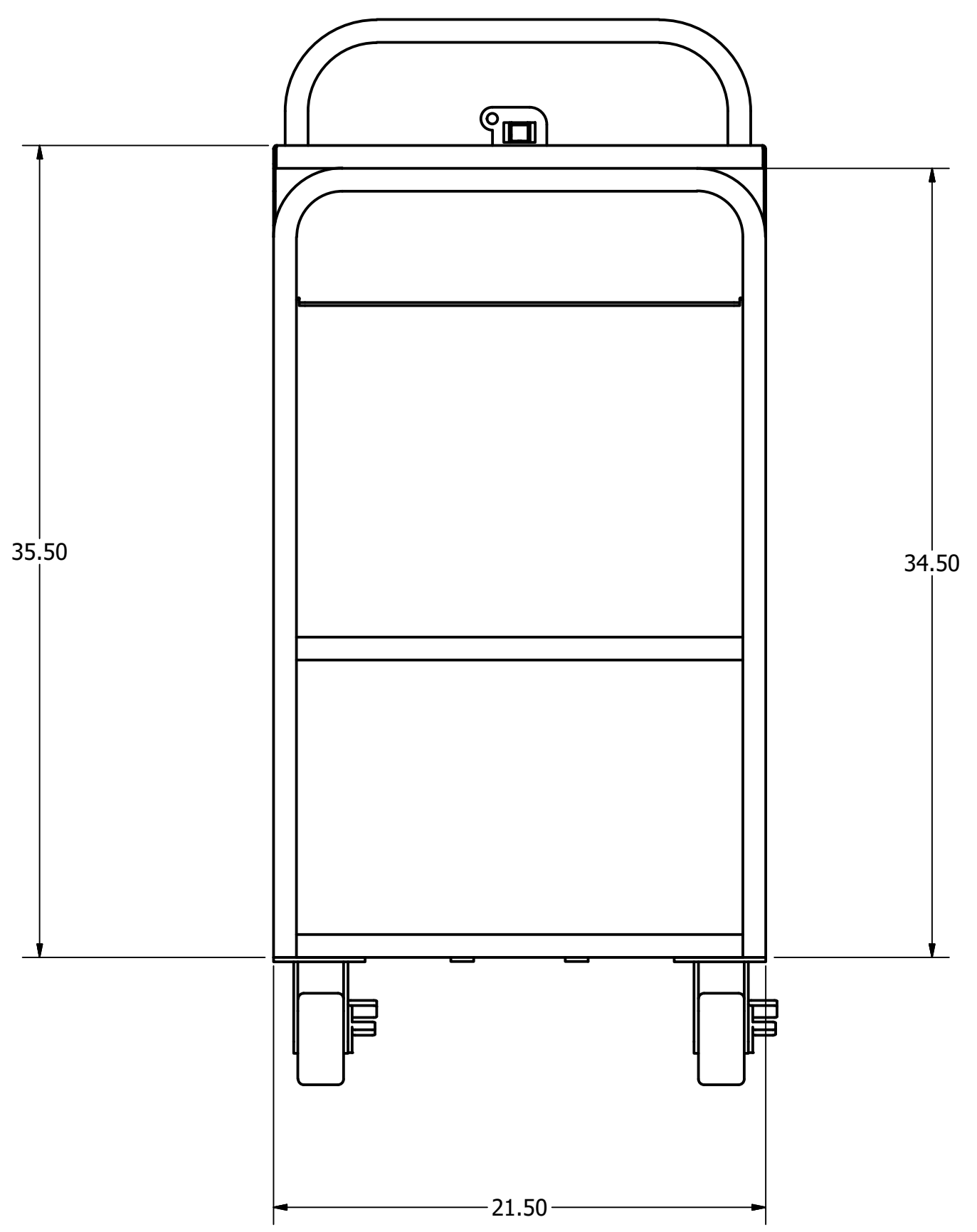
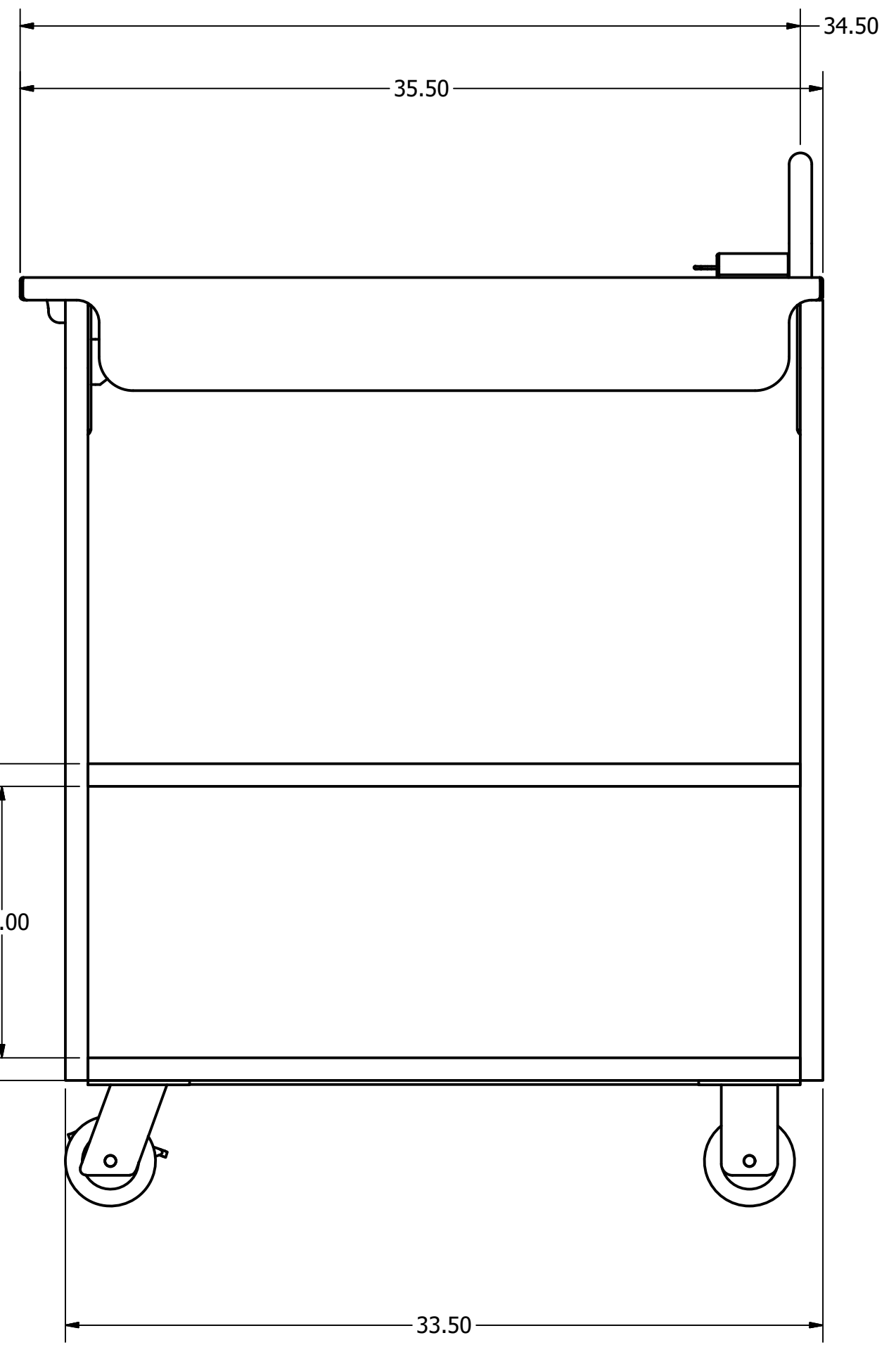
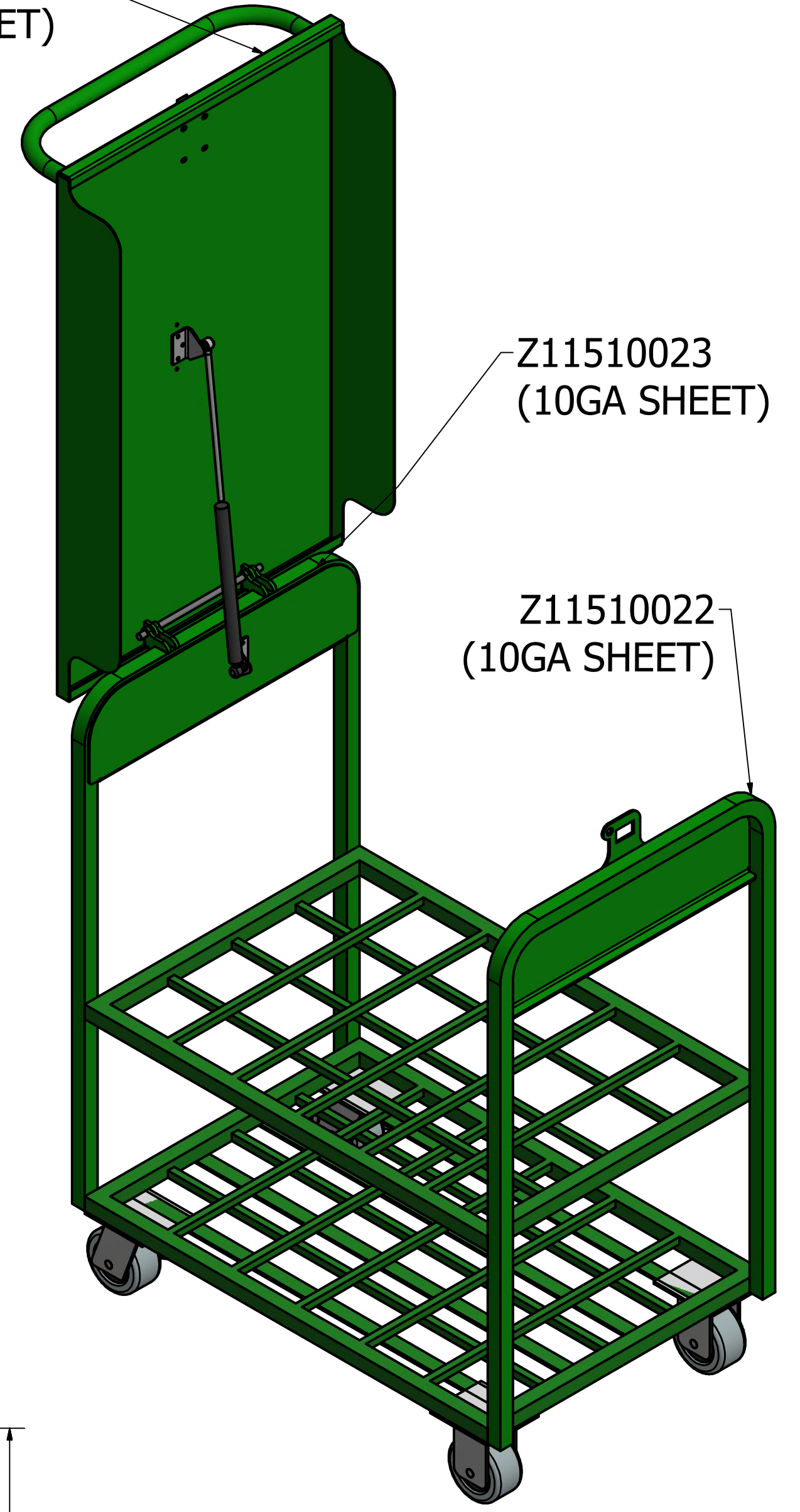


8 7 6 5 4 3 2 1



Z11210084  
(14GA SHEET)



DRAWN	court_000	2/2/2016	TITLE	
CHECKED				
QA				
MFG				
APPROVED				
SIZE	D	DWG NO	MDE-24T	REV
SCALE	.1675	SHEET 1 OF 1		

8 7 6 5 4 3 2 1