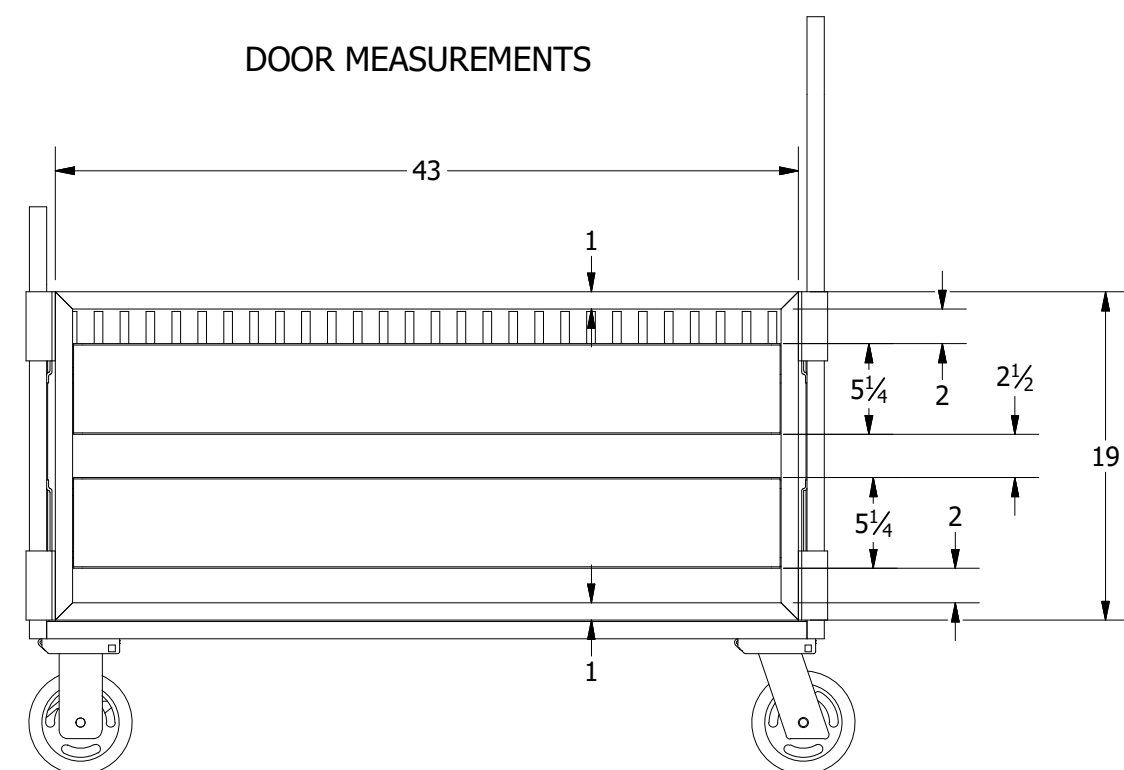
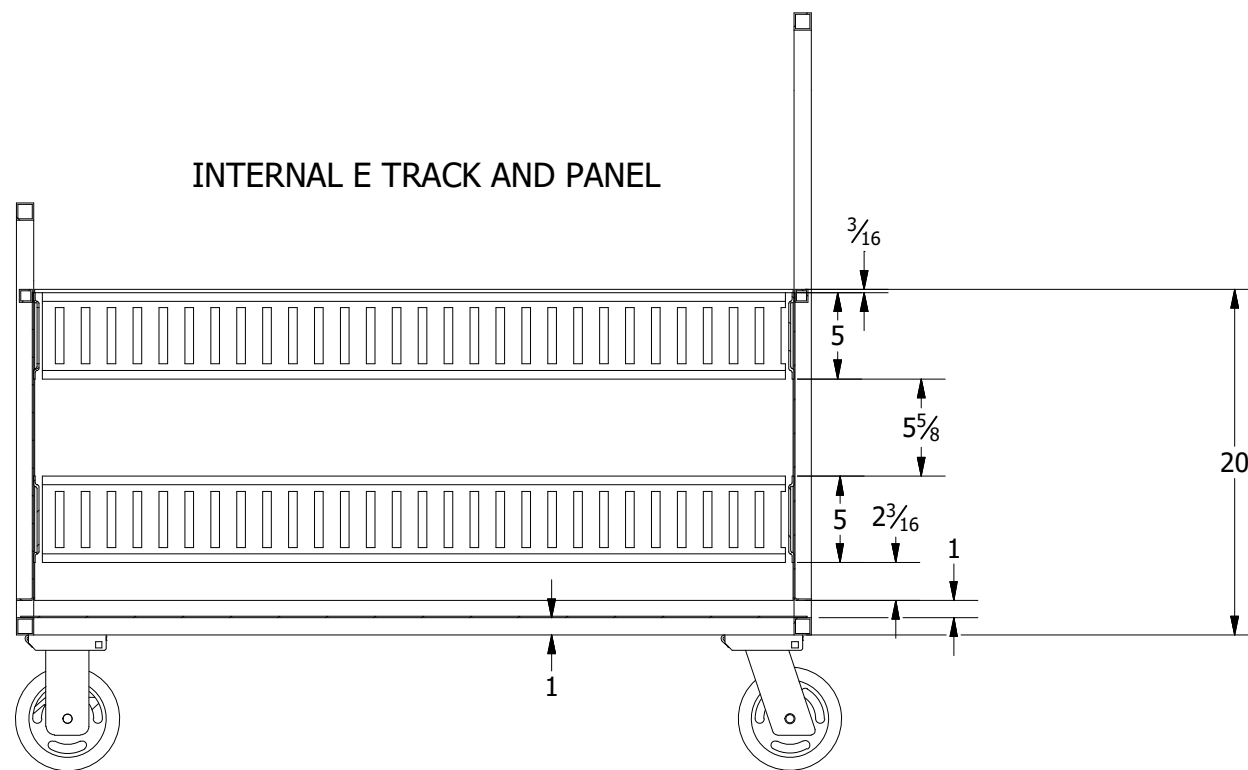


<p>THE MATERIALS AND INFORMATION CONTAINED IN THESE DOCUMENTS ARE THE SOLE PROPERTY OF SAF-T-CART. ANY DESIGN OR PRINCIPLE CONTAINED IN THE PRINTS IS CONSIDERED CONFIDENTIAL. THIS INFORMATION IS SUMMITTED TO YOU WITH AGREEMENT THAT IS IT NOT TO BE REPRODUCED, COPIED OR RELEASED IN PART OR IN WHOLE TO ANY COMPANY OR INDIVIDUAL. BY ACCEPTING THIS DOCUMENT YOU ARE AGREEING TO THE STATEMENTS ABOVE.</p> <p>DIMENSIONS ARE IN INCHES UNLESS SPECIFIED OTHERWISE DO NOT TAKE DIMENSIONS FROM DRAWING</p> <p>TOLERANCES FRACTIONS ± 1/16" ANGLES ± 0.5° X.XX ± N/A X.XXX ± N/A</p>	<p>DRAWN Cortney</p>	6/14/2019
	<p>CHECKED REID WALKER/BILLY MONFORT</p>	
	<p>QA/CWI HARVEY STURDIVANT</p>	
	<p>MFG JAMES JACO</p>	
	<p>APPROVED JIMMY WALKER</p>	
<p>ALL STRUCTURAL MEMBERS ARE ASTM A-36 CARBON STEEL U.N.O. BASED ON ASME Y14.36M-1989</p> <p>ALL FILLET WELDS ARE 5/16" U.N.O.</p>		

SAFTCARTTM
 CLARKSDALE, MS 38614
 800-542-2278
<http://www.saftcart.com/>
 DETAILED MANUFACTURING PLANS

AC-60			
SIZE	MATERIAL	DWG NO	REV
B	VARIES	AC-60.drawing	
SCALE	VARIES		SHEET 1 OF 2



<p>THE MATERIALS AND INFORMATION CONTAINED IN THESE DOCUMENTS ARE THE SOLE PROPERTY OF SAF-T-CART. ANY DESIGN OR PRINCIPLE CONTAINED IN THE PRINTS IS CONSIDERED CONFIDENTIAL. THIS INFORMATION IS SUMMITTED TO YOU WITH AGREEMENT THAT IS IT NOT TO BE REPRODUCED, COPIED OR RELEASED IN PART OR IN WHOLE TO ANY COMPANY OR INDIVIDUAL. BY ACCEPTING THIS DOCUMENT YOU ARE AGREEING TO THE STATEMENTS ABOVE.</p> <p>DIMENSIONS ARE IN INCHES UNLESS SPECIFIED OTHERWISE DO NOT TAKE DIMENSIONS FROM DRAWING</p> <p>TOLERANCES FRACTIONS ± 1/16" ANGLES ± 0.5° X.XX ± N/A X.XXX ± N/A</p>	<p>DRAWN Cortney 6/14/2019</p>
	<p>CHECKED REID WALKER/BILLY MONFORT</p>
	<p>QA/CWI HARVEY STURDIVANT</p>
	<p>MFG JAMES JACO</p>
<p>APPROVED JIMMY WALKER</p>	<p>ALL STRUCTURAL MEMBERS ARE ASTM A-36 CARBON STEEL U.N.O. BASED ON ASME Y14.36M-1989</p>
<p>ALL FILLET WELDS ARE 5/16" U.N.O.</p>	



CLARKSDALE, MS 38614
800-542-2278
<http://www.saftcart.com/>
DETAILED MANUFACTURING PLANS

AC-60			
SIZE B	MATERIAL VARIES	DWG NO AC-60.drawing	REV
SCALE VARIES	SHEET 2 OF 2		