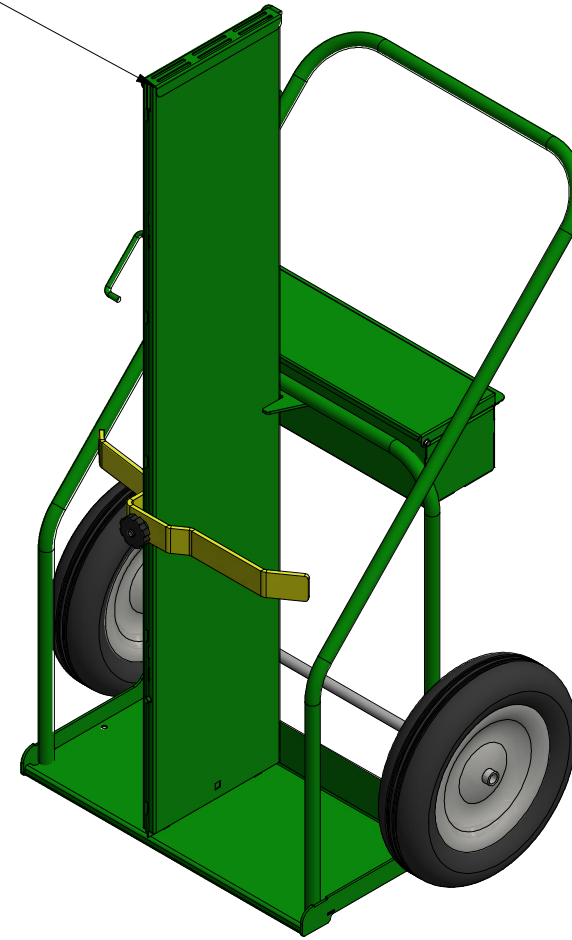


NO LIFT EYE  
ONE PERMA-CLAMP



THE MATERIALS AND INFORMATION CONTAINED IN THESE DOCUMENTS ARE THE SOLE PROPERTY OF SAF-T-CART. ANY DESIGN OR PRINCIPLE CONTAINED IN THE PRINTS IS CONSIDERED CONFIDENTIAL. THIS INFORMATION IS SUMMITTED TO YOU WITH AGREEMENT THAT IS IT NOT TO BE REPRODUCED, COPIED OR RELEASED IN PART OR IN WHOLE TO ANY COMPANY OR INDIVIDUAL. BY ACCEPTING THIS DOCUMENT YOU ARE AGREEING TO THE STATEMENTS ABOVE.

DIMENSIONS ARE IN INCHES UNLESS SPECIFIED OTHERWISE DO NOT TAKE DIMENSIONS FROM DRAWING  
TOLERANCES  
FRACTIONS ± 1/16"  
ANGLES ± 0.5°  
X.XX ± N/A  
X.XXX ± N/A

DRAWN	COURTNEY HAYS	12/4/2020
CHECKED	REID WALKER/BILLY MONFORT	
QA/CWI	HARVEY STURDIVANT	
MFG	JAMES JACO	
APPROVED	JIMMY WALKER	
ALL STRUCTURAL MEMBERS ARE ASTM A-36 CARBON STEEL U.N.O. BASED ON ASME Y14.36M-1989		
ALL FILLET WELDS ARE 5/16" U.N.O.		

**SAFTCART<sup>TM</sup>**  
 CLARKSDALE, MS 38614  
 800-542-2278  
<http://www.saftcart.com/>  
 DETAILED MANUFACTURING PLANS

502-16FW			
SIZE	MATERIAL	DWG NO	REV
B	VARIES	502-16FW	
SCALE	VARIES		SHEET 1 OF 1