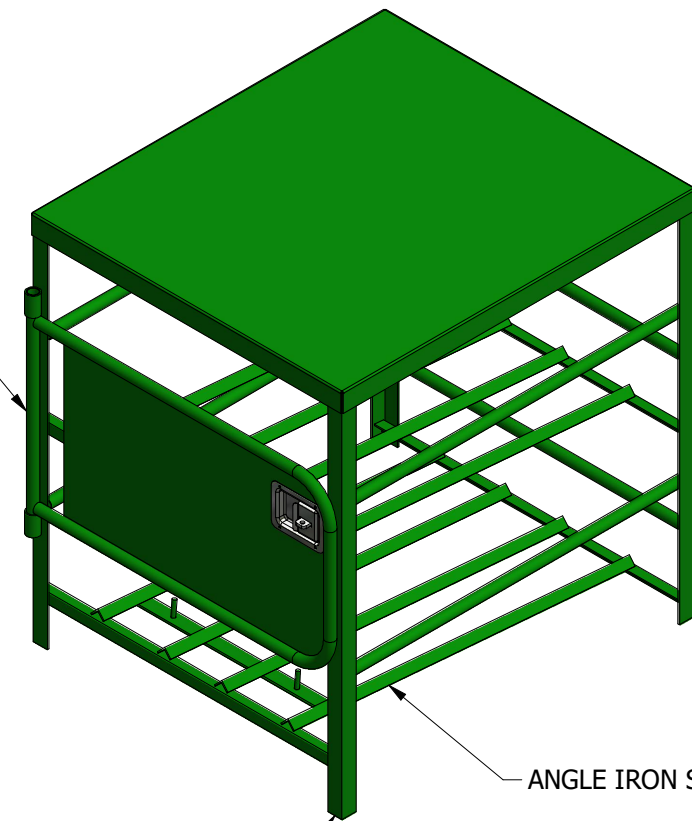


DOOR WITH PADDLE LATCH PLATE



ANGLE IRON SHELVES

ANGLE IRON LEGS

THE MATERIALS AND INFORMATION CONTAINED IN THESE DOCUMENTS ARE THE SOLE PROPERTY OF SAF-T-CART. ANY DESIGN OR PRINCIPLE CONTAINED IN THE PRINTS IS CONSIDERED CONFIDENTIAL. THIS INFORMATION IS SUMMITTED TO YOU WITH AGREEMENT THAT IS IT NOT TO BE REPRODUCED, COPIED OR RELEASED IN PART OR IN WHOLE TO ANY COMPANY OR INDIVIDUAL. BY ACCEPTING THIS DOCUMENT YOU ARE AGREEING TO THE STATEMENTS ABOVE.

DIMENSIONS ARE IN INCHES UNLESS SPECIFIED OTHERWISE DO NOT TAKE DIMENSIONS FROM DRAWING
 TOLERANCES
 FRACTIONS ± 1/16"
 ANGLES ± 0.5°
 X.XX ± N/A
 X.XXX ± N/A

DRAWN COURTNEY HAYS 5/3/2021
 CHECKED REID WALKER/BILLY MONFORT
 QA/CWI HARVEY STURDIVANT
 MFG JAMES JACO
 APPROVED JIMMY WALKER
 ALL STRUCTURAL MEMBERS ARE ASTM A-36 CARBON STEEL U.N.O. BASED ON ASME Y14.36M-1989
 ALL FILLET WELDS ARE 5/16" U.N.O.

SAFTCART™
 CLARKSDALE, MS 38614
 800-542-2278
<http://www.saftcart.com/>
 DETAILED MANUFACTURING PLANS

SPC-4			
SIZE	MATERIAL	DWG NO	REV
B	VARIES	SPC-4	
SCALE	VARIES		SHEET 1 OF 1