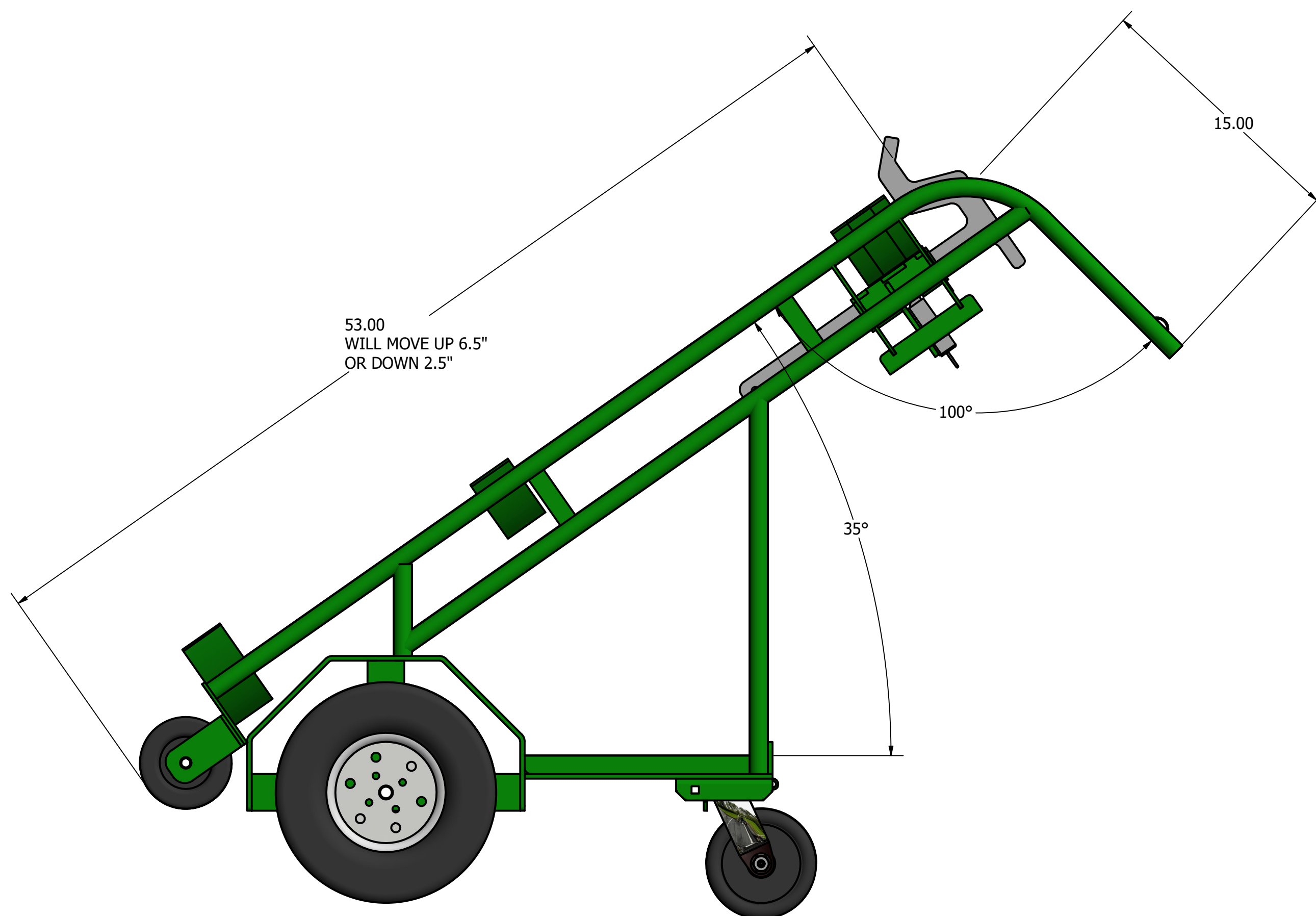
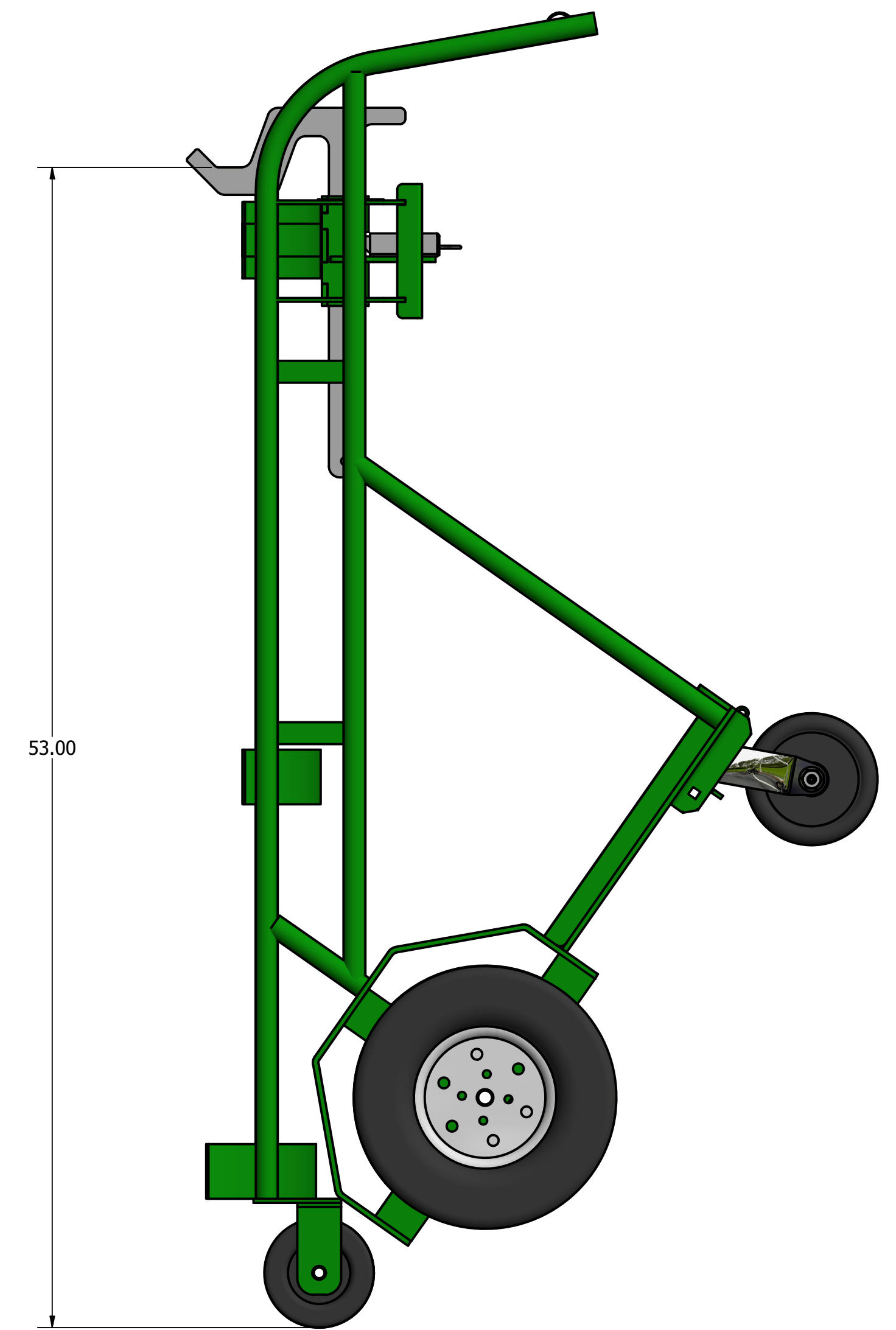
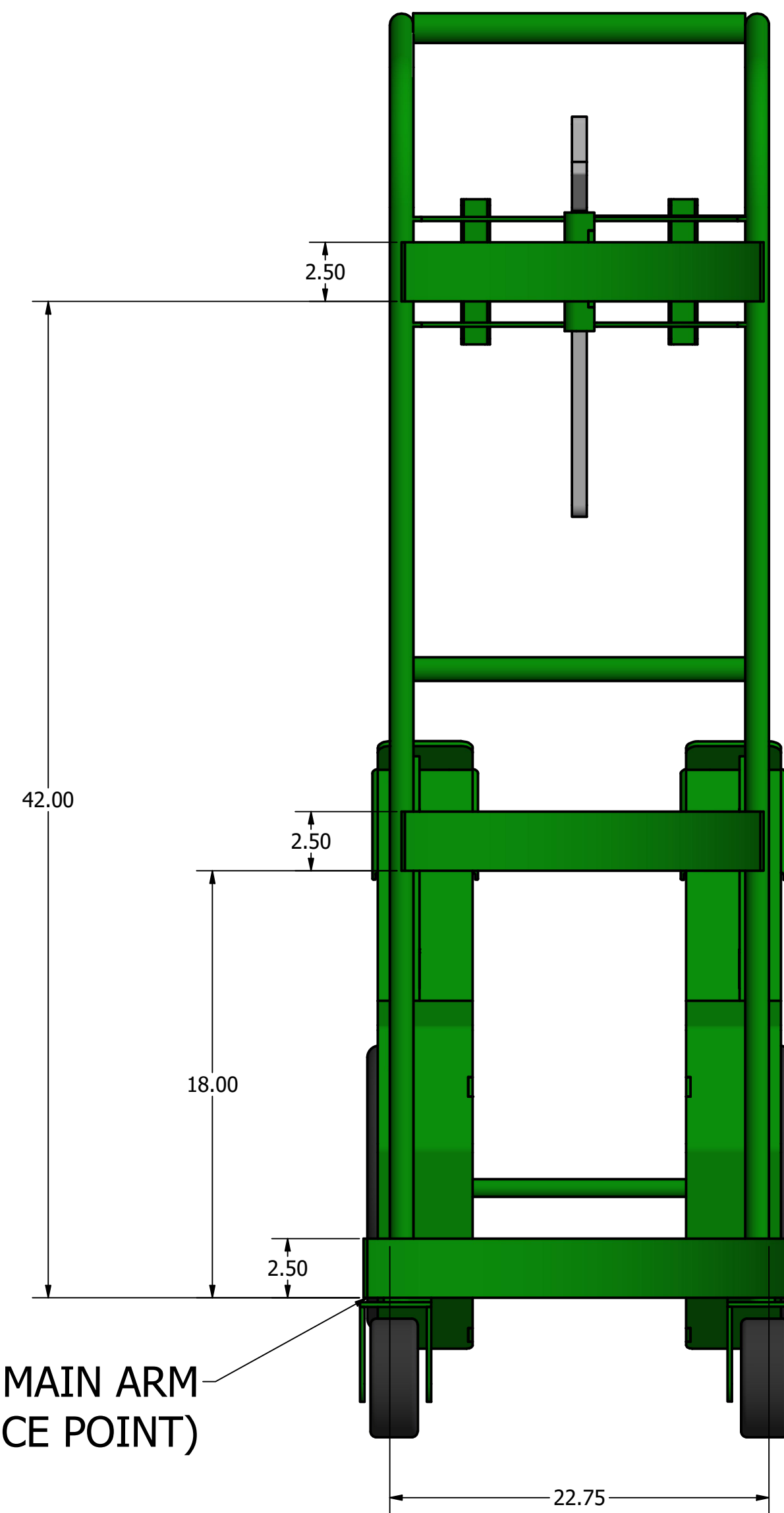


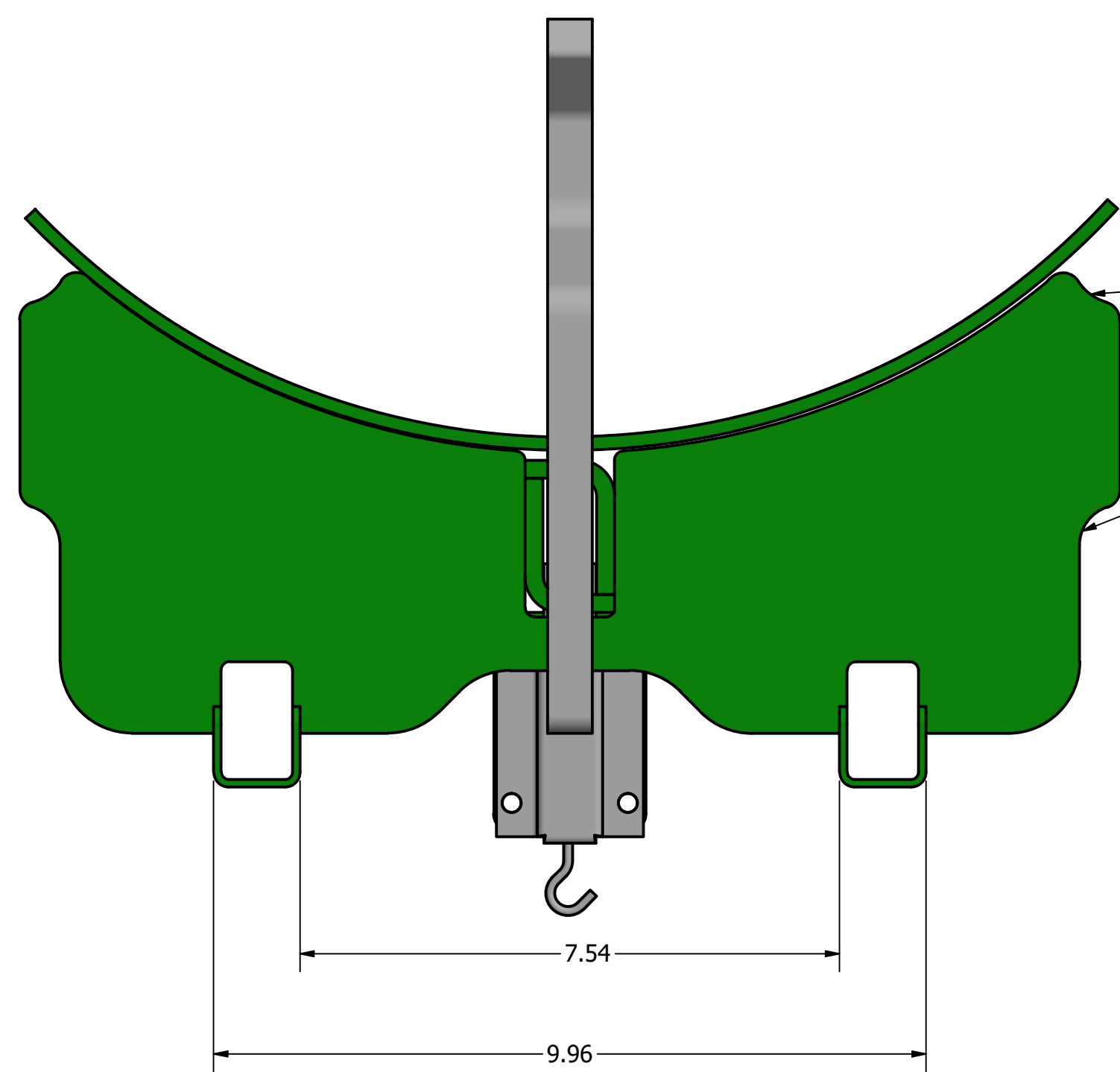
TOP OF HOOK RANGES 50-1/2" TO 59-1/2"
(HOOK MOVES IN .5" INCREMENTS OVER 9")



MAX LOAD CAPACITY = 1000 LBS
MAX GROSS WEIGHT = 1130 LBS
TEAR WEIGHT = 130

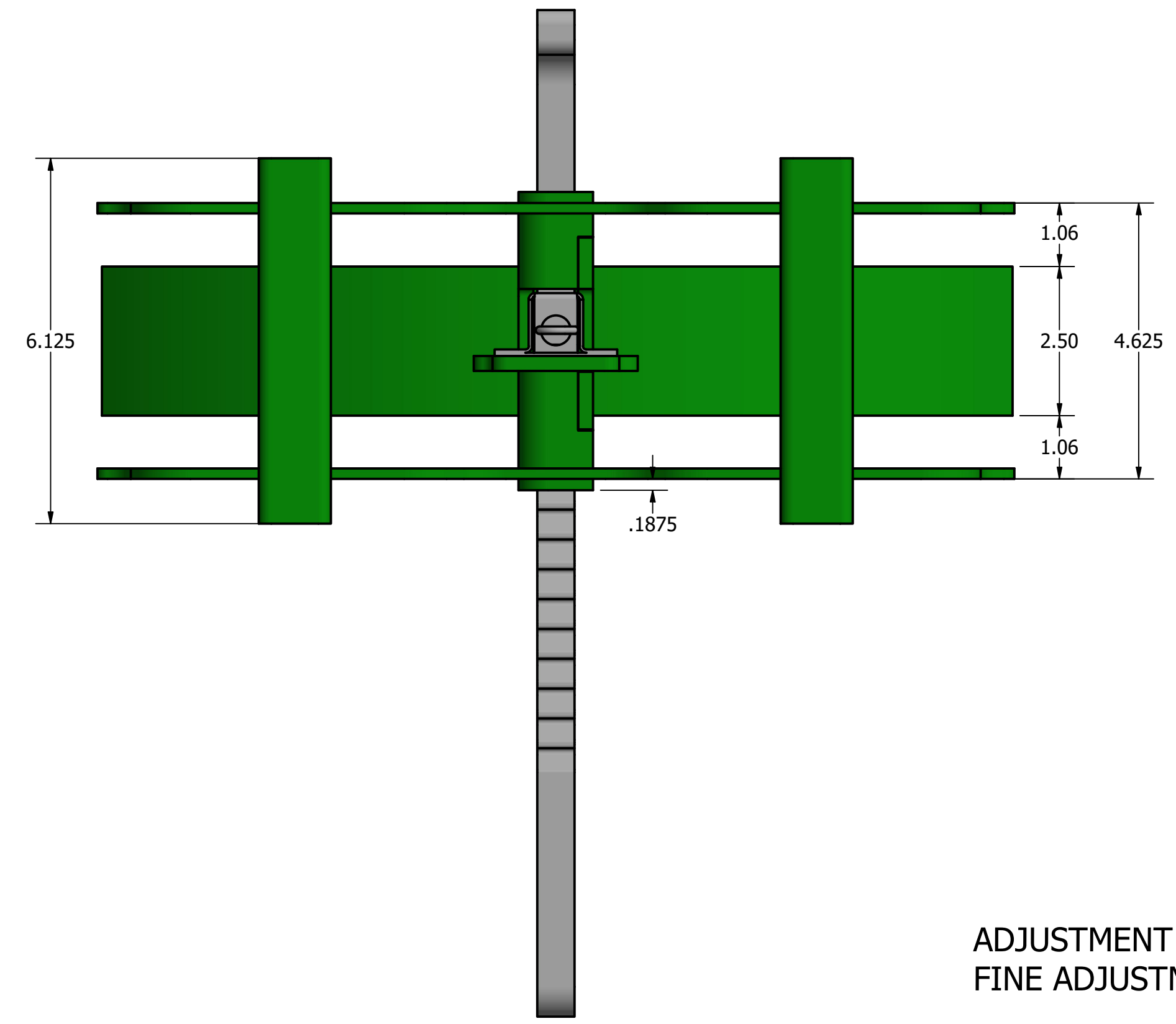
DRAWN	court	7/26/2016		
CHECKED			TITLE	
QA				
MFG				
APPROVED				
SIZE	D	DWG NO	LCT-12-26	REV
SCALE	.1875	SHEET 1 OF 2		

8 7 6 5 4 3 2 1

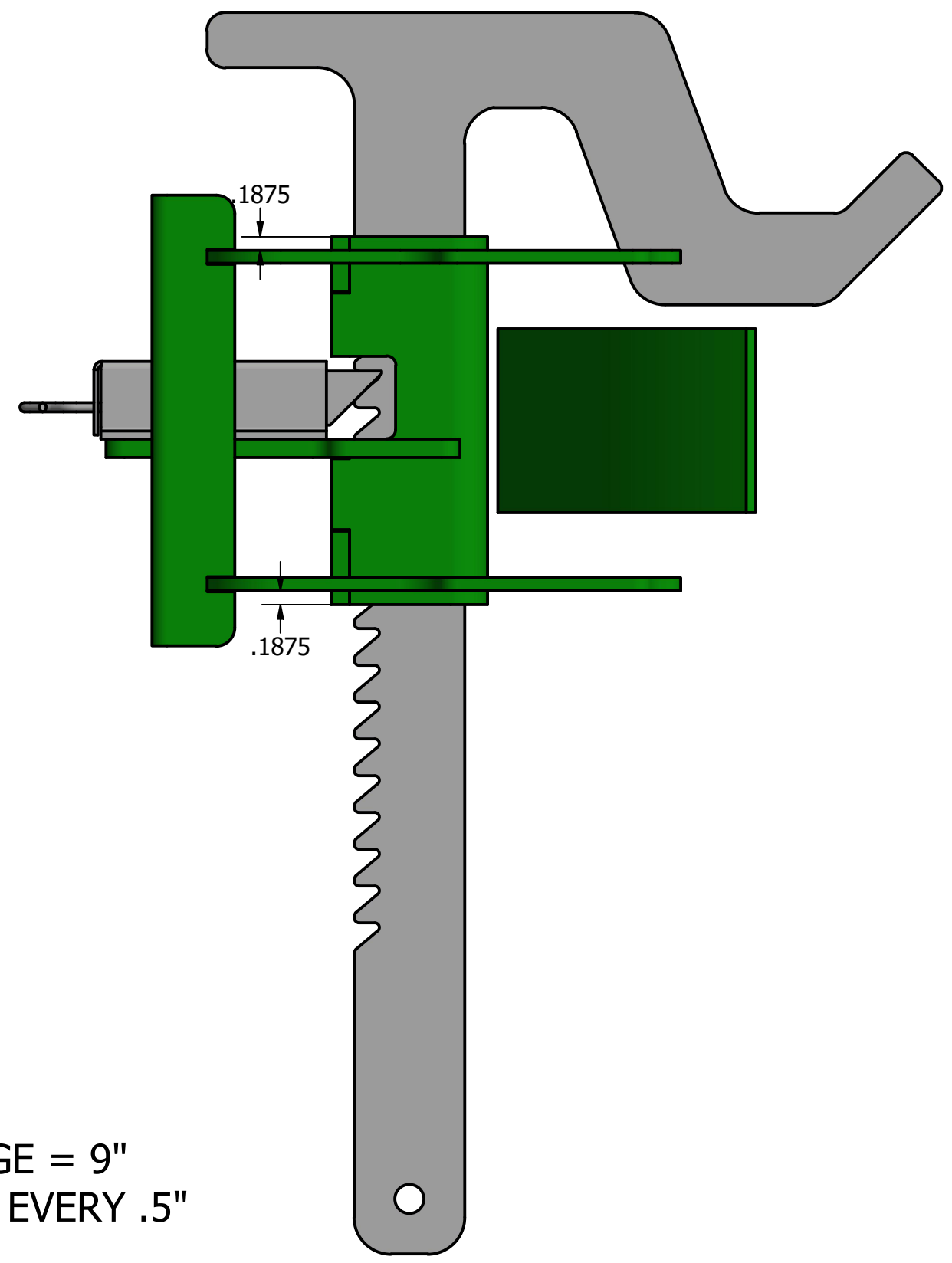


**ADJUSTED CUT-OUT POSITION
ON 8-1-16 (TG SUGGESTED)**

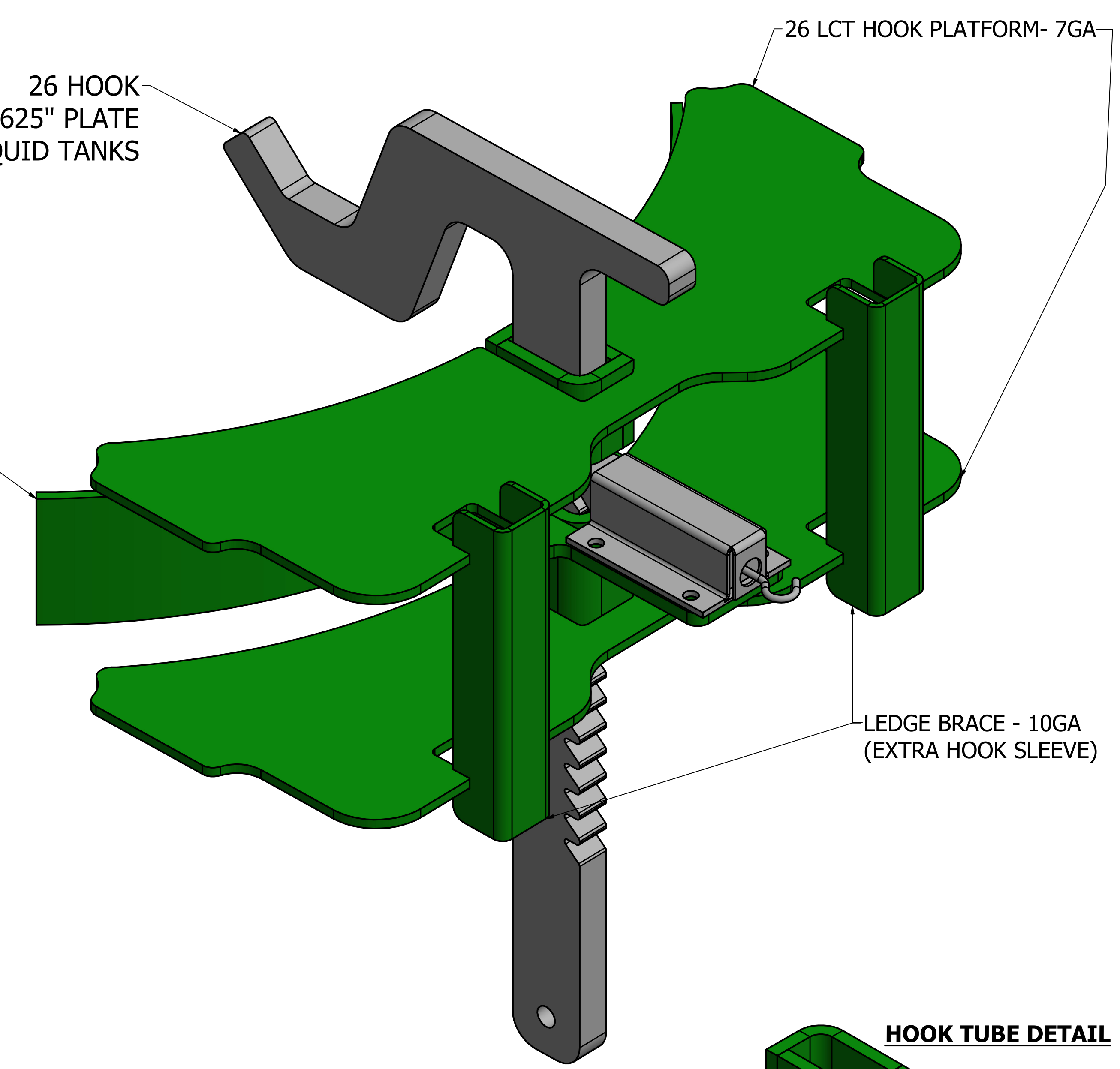
STANDARD UPPER BAND



ADJUSTMENT RANGE = 9"
FINE ADJUSTMENT EVERY .5"



26 HOOK
.625" PLATE
SPECIAL FOR 26" LIQUID TANKS

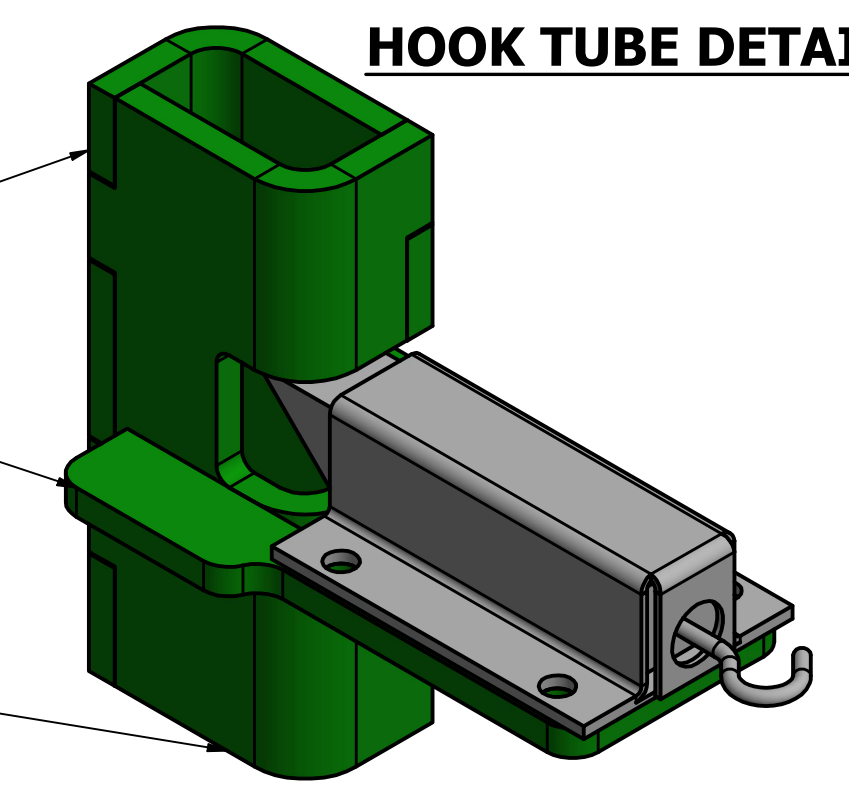


MAIN PT1 - .25" PLATE

LATCH LEDGE - .25" PLATE

MAIN PT2 - .25" PLATE

HOOK TUBE DETAIL



MAX LOAD CAPACITY = 1000 LBS
MAX GROSS WEIGHT = 1130 LBS
TEAR WEIGHT = 130

DRAWN	court	7/26/2016	TITLE	
CHECKED				
QA				
MFG				
APPROVED				
			SIZE	DWG NO
			D	LCT-12-26
			SCALE	REV
			.75	
			SHEET 2 OF 2	

8 7 6 5 4 3 2 1