

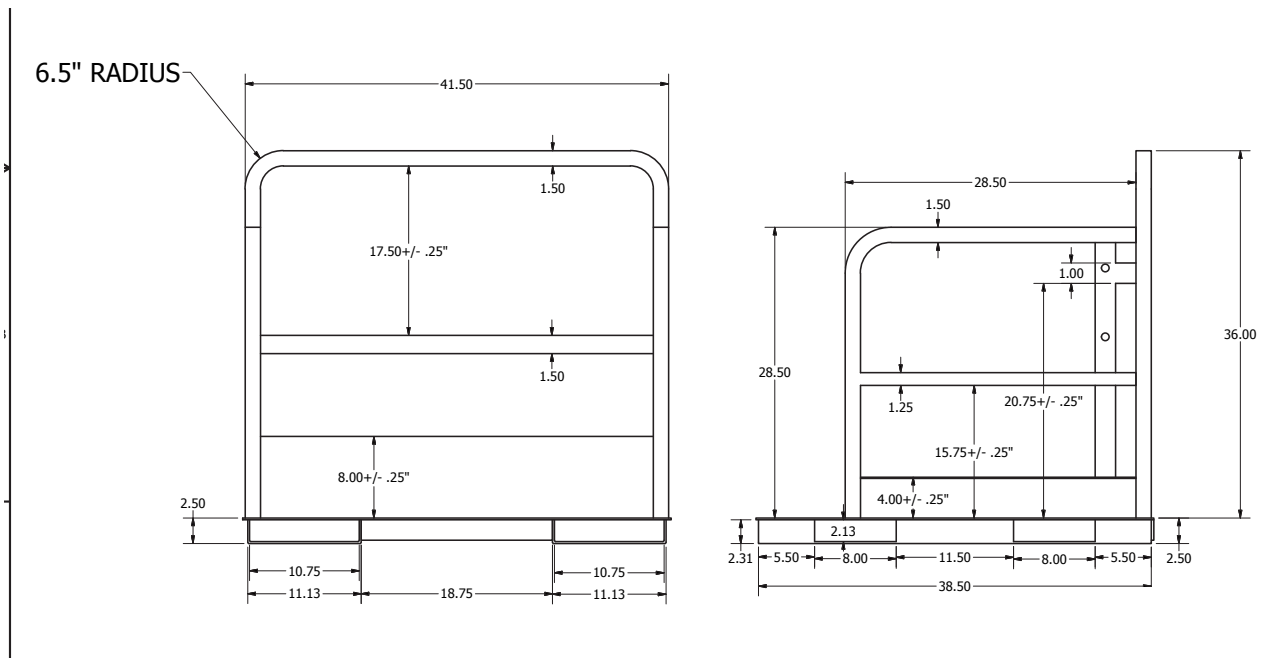
SAFTCART^{T.M.}

*straps sold separately

STP-16

Pallet features include...

- 3/16 gauge tread floor plate.
- Powder coated finish
- Fork lift-able from all four sides.
- Sturdy sides and back for cylinder stability.
- Strap: STP-15-AG



SaftCart, Inc. - P.O. Drawer 1869 - 1322 Industrial Park Drive - Clarksdale, MS 38614

800-542-2278 | 662-624-6492 | Fax: 662-627-1640

www.saftcart.com