


THE MATERIALS AND INFORMATION CONTAINED IN THESE DOCUMENTS ARE THE SOLE PROPERTY OF SAF-T-CART. ANY DESIGN OR PRINCIPLE CONTAINED IN THE PRINTS IS CONSIDERED CONFIDENTIAL. THIS INFORMATION IS SUMMITTED TO YOU WITH AGREEMENT THAT IS IT NOT TO BE REPRODUCED, COPIED OR RELEASED IN PART OR IN WHOLE TO ANY COMPANY OR INDIVIDUAL. BY ACCEPTING THIS DOCUMENT YOU ARE AGREEING TO THE STATEMENTS ABOVE.

DIMENSIONS ARE IN INCHES UNLESS SPECIFIED OTHERWISE DO NOT TAKE DIMENSIONS FROM DRAWING

TOLERANCES
 FRACTIONS ± 1/16"
 ANGLES ± 0.5°
 X.XX ± N/A
 X.XXX ± N/A

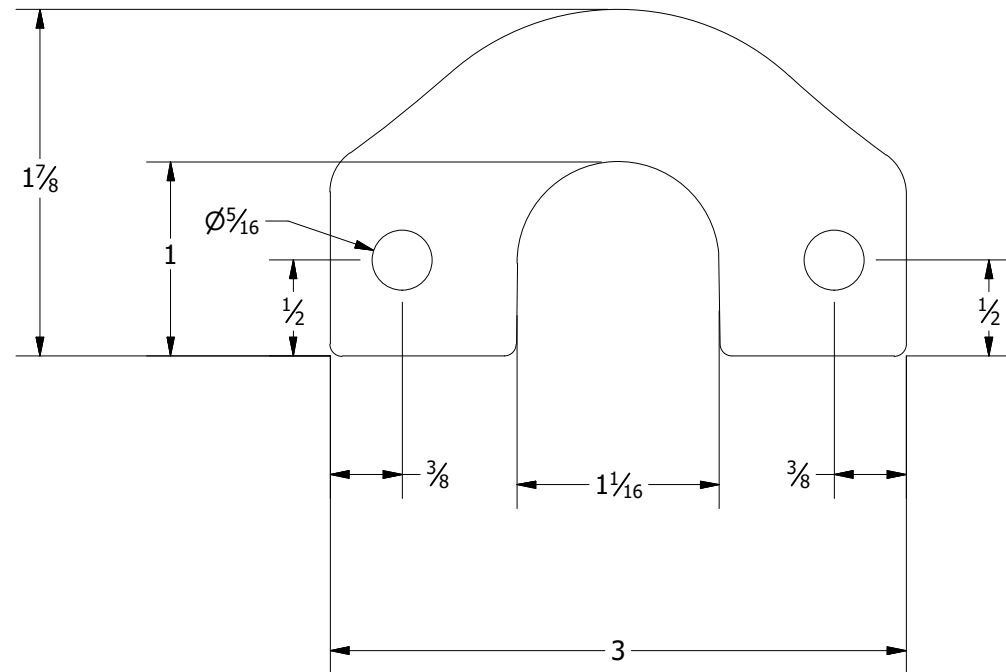
DRAWN	WELBY	6/3/2019
CHECKED	REID WALKER/BILLY MONFORT	
QA/CWI	HARVEY STURDIVANT	
MFG	JAMES JACO	
APPROVED	JIMMY WALKER	
ALL STRUCTURAL MEMBERS ARE ASTM A-36 CARBON STEEL U.N.O. BASED ON ASME Y14.36M-1989		
ALL FILLET WELDS ARE 5/16" U.N.O.		




CLARKSDALE, MS 38614
 800-542-2278
<http://www.saftcart.com/>
 DETAILED MANUFACTURING PLANS

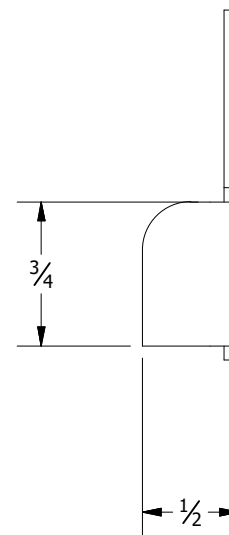
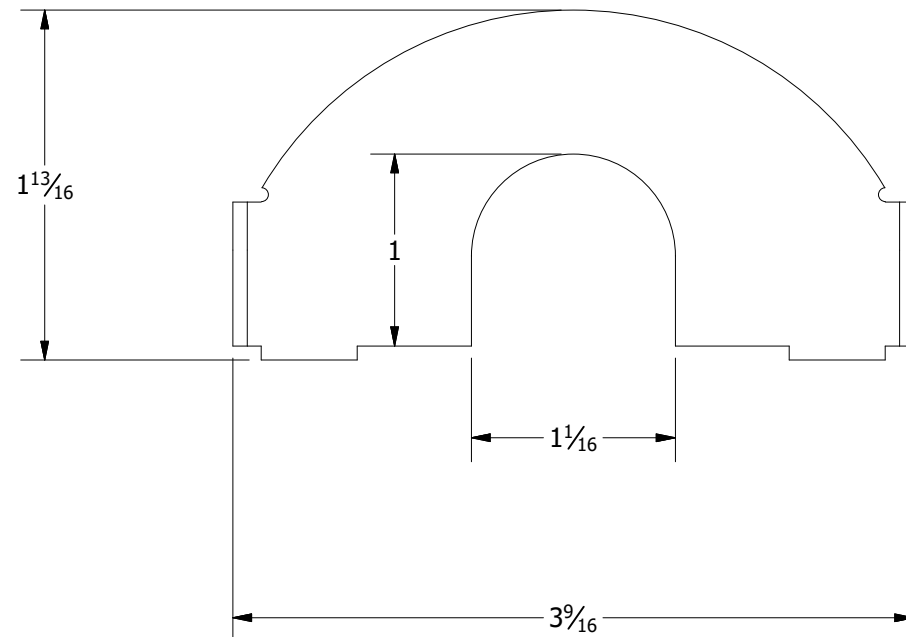
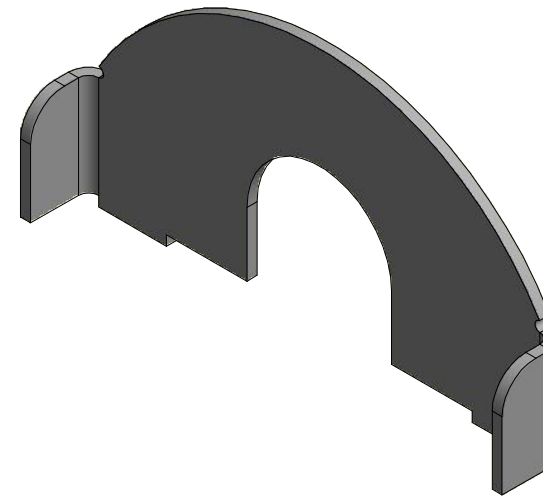
935-8B			
SIZE	MATERIAL	DWG NO	REV
B	VARIABLES	935-8B.drawing	
SCALE	VARIES		SHEET 1 OF 9

BOX CART HANDLE BRACE
14GA SHEET (LASER)



<p>THE MATERIALS AND INFORMATION CONTAINED IN THESE DOCUMENTS ARE THE SOLE PROPERTY OF SAF-T-CART. ANY DESIGN OR PRINCIPLE CONTAINED IN THE PRINTS IS CONSIDERED CONFIDENTIAL. THIS INFORMATION IS SUMMITTED TO YOU WITH AGREEMENT THAT IS IT NOT TO BE REPRODUCED, COPIED OR RELEASED IN PART OR IN WHOLE TO ANY COMPANY OR INDIVIDUAL. BY ACCEPTING THIS DOCUMENT YOU ARE AGREEING TO THE STATEMENTS ABOVE.</p> <p>DIMENSIONS ARE IN INCHES UNLESS SPECIFIED OTHERWISE DO NOT TAKE DIMENSIONS FROM DRAWING</p> <p>TOLERANCES FRACTIONS ± 1/16" ANGLES ± 0.5° X.XX ± N/A X.XXX ± N/A</p>	<p>DRAWN WELBY 6/3/2019</p>	 <p>CLARKSDALE, MS 38614 800-542-2278 http://www.saftcart.com/ DETAILED MANUFACTURING PLANS</p>			
	<p>CHECKED REID WALKER/BILLY MONFORT QA/CWI HARVEY STURDIVANT MFG JAMES JACO APPROVED</p>			<p>Z11210022</p>	
	<p>JIMMY WALKER ALL STRUCTURAL MEMBERS ARE ASTM A-36 CARBON STEEL U.N.O. BASED ON ASME Y14.36M-1989</p>	<p>SIZE B</p>	<p>MATERIAL VARIES</p>	<p>DWG NO 935-8B.drawing</p>	<p>REV</p>
	<p>ALL FILLET WELDS ARE 5/16" U.N.O.</p>	<p>SCALE VARIES</p>	<p>SHEET 2 OF 9</p>		

BOX CART HANDLE BRACKET
14GA SHEET (LASER/SAFAN)



THE MATERIALS AND INFORMATION CONTAINED IN THESE DOCUMENTS ARE THE SOLE PROPERTY OF SAF-T-CART. ANY DESIGN OR PRINCIPLE CONTAINED IN THE PRINTS IS CONSIDERED CONFIDENTIAL. THIS INFORMATION IS SUMMITTED TO YOU WITH AGREEMENT THAT IS IT NOT TO BE REPRODUCED, COPIED OR RELEASED IN PART OR IN WHOLE TO ANY COMPANY OR INDIVIDUAL. BY ACCEPTING THIS DOCUMENT YOU ARE AGREEING TO THE STATEMENTS ABOVE.

DIMENSIONS ARE IN INCHES UNLESS SPECIFIED OTHERWISE DO NOT TAKE DIMENSIONS FROM DRAWING
TOLERANCES
FRACTIONS ± 1/16"
ANGLES ± 0.5°
X.XX ± N/A
X.XXX ± N/A

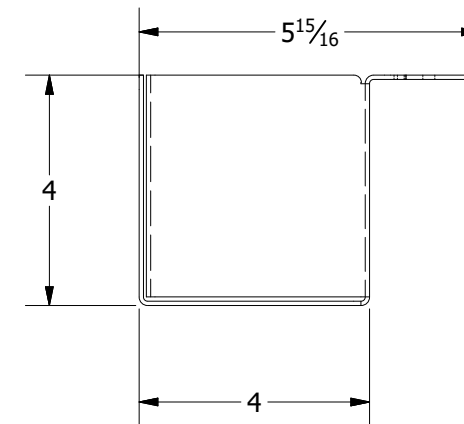
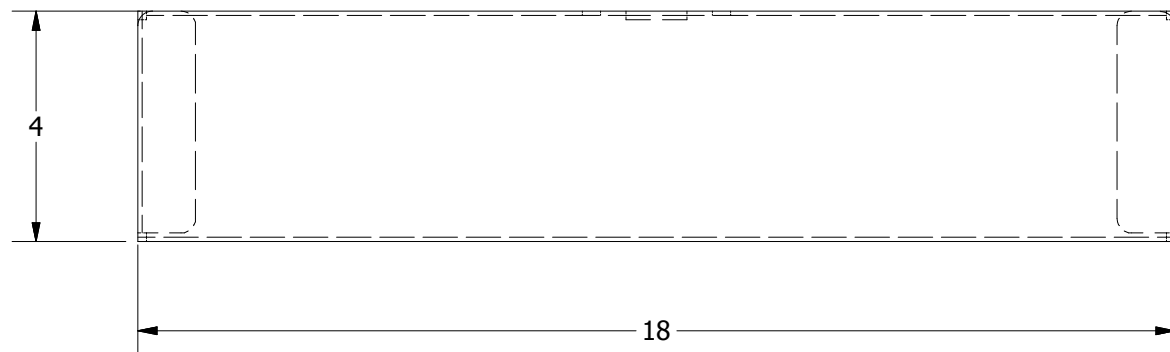
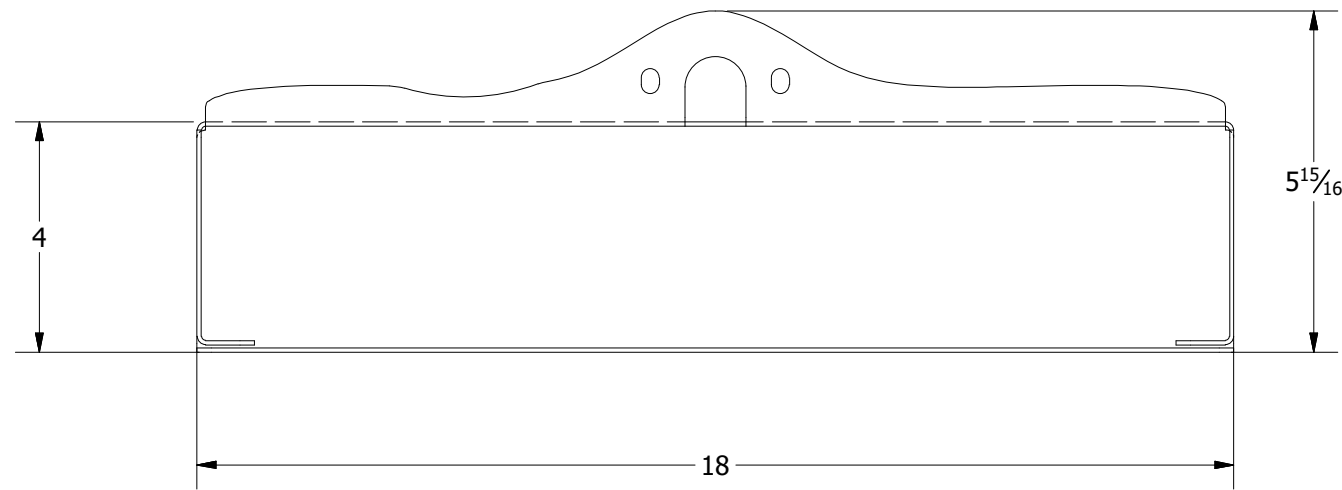
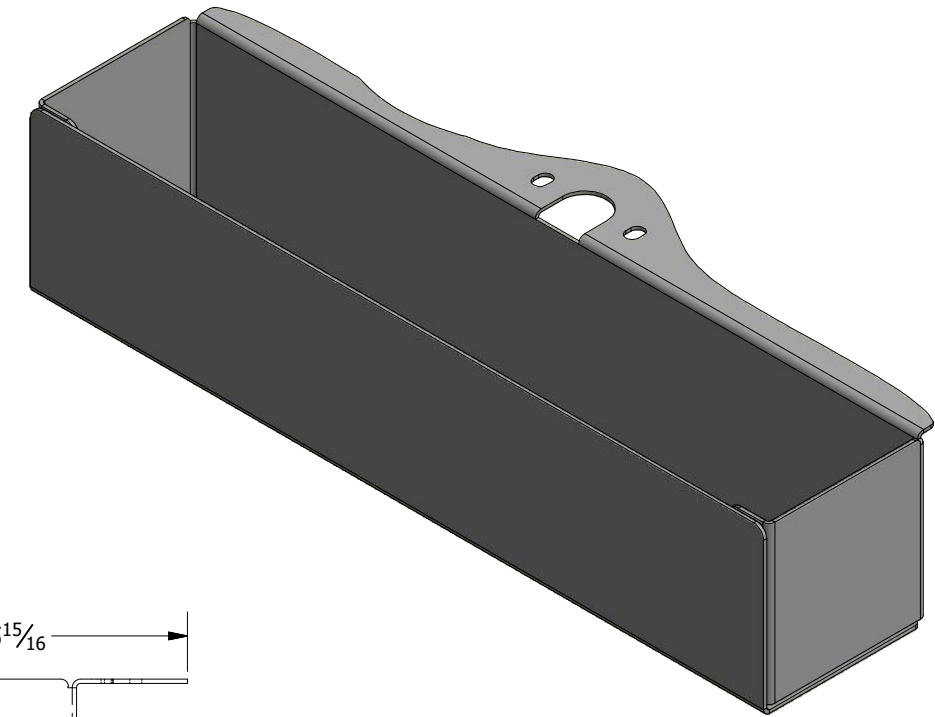
DRAWN	WELBY	6/3/2019
CHECKED	REID WALKER/BILLY MONFORT	
QA/CWI	HARVEY STURDIVANT	
MFG	JAMES JACO	
APPROVED	JIMMY WALKER	
ALL STRUCTURAL MEMBERS ARE ASTM A-36 CARBON STEEL U.N.O. BASED ON ASME Y14.36M-1989		
ALL FILLET WELDS ARE 5/16" U.N.O.		




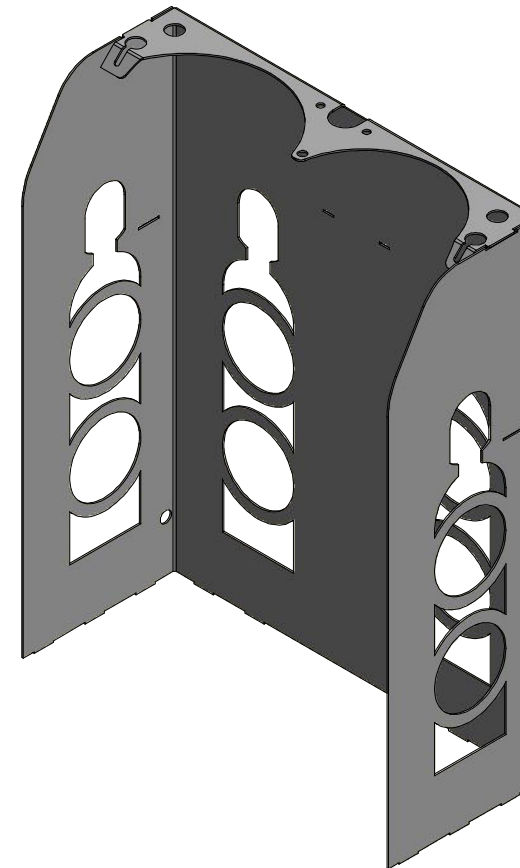
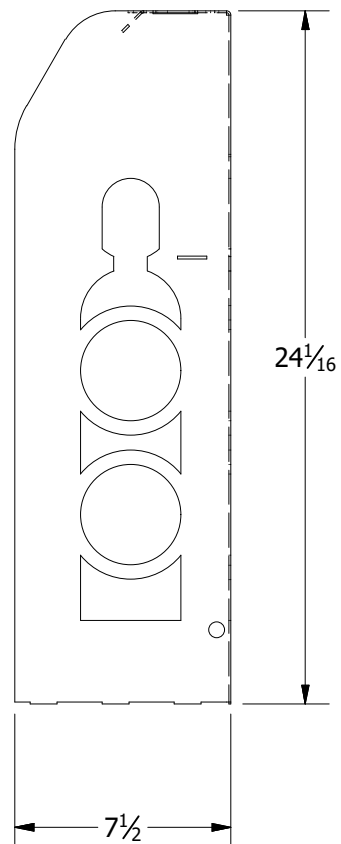
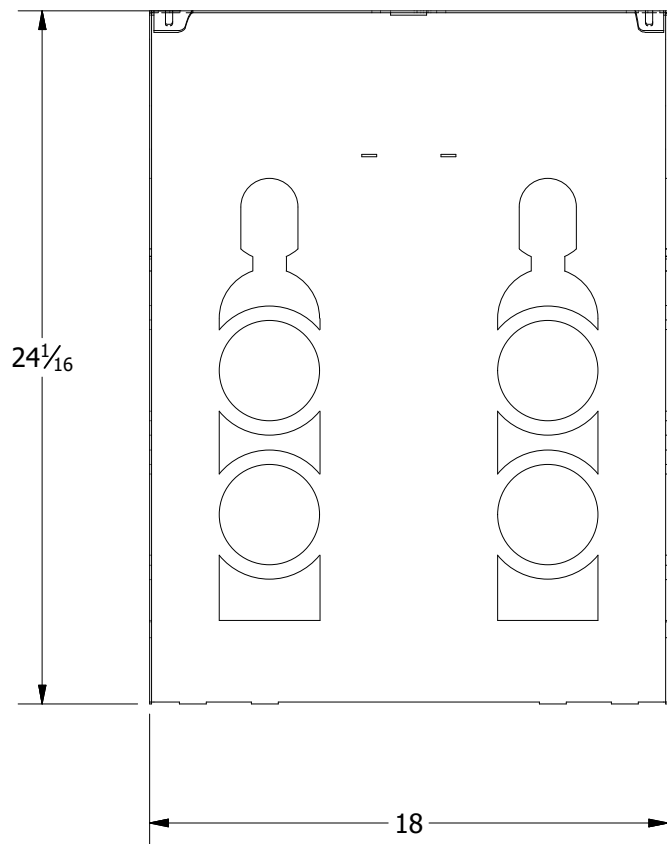
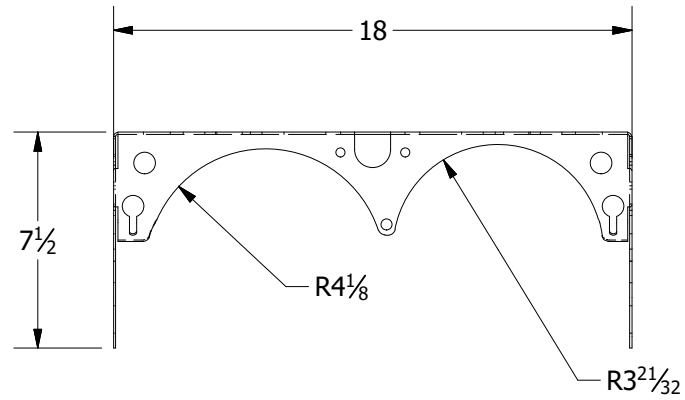
Z11210023

SIZE	MATERIAL	DWG NO	REV
B	VARIES	935-8B.drawing	
SCALE	VARIES		SHEET 3 OF 9

935-8B TOOL BOX
14GA SHEET (LASER/SAFAN)



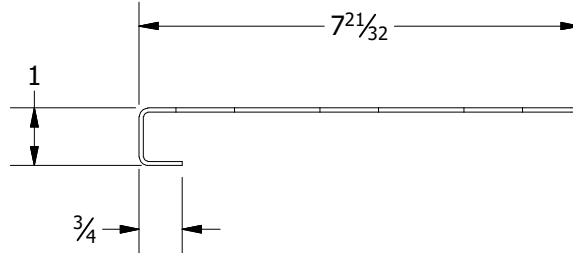
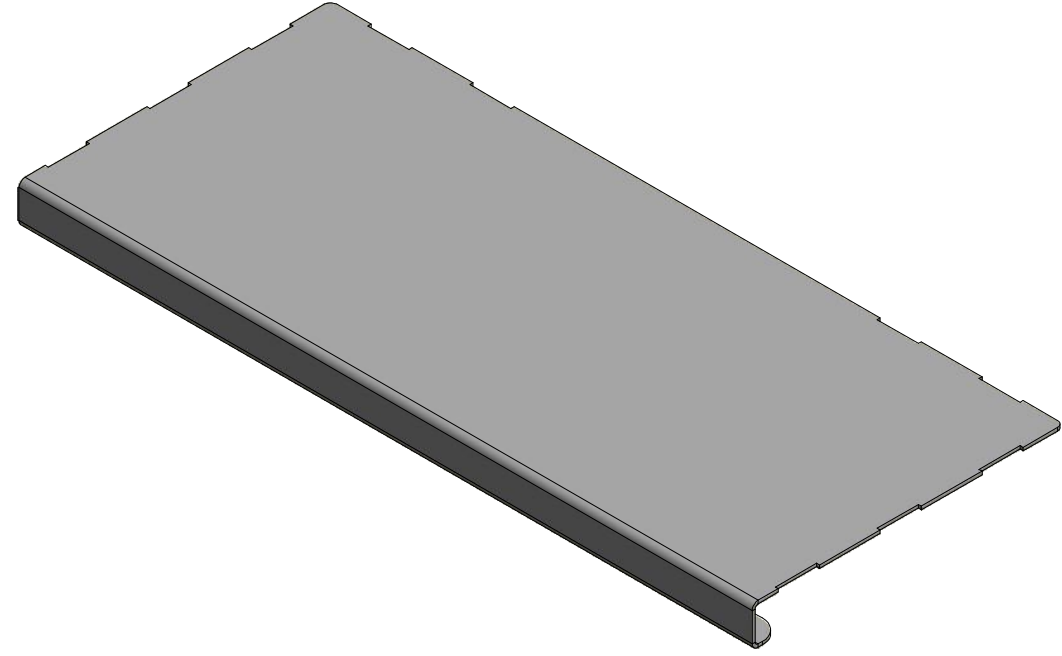
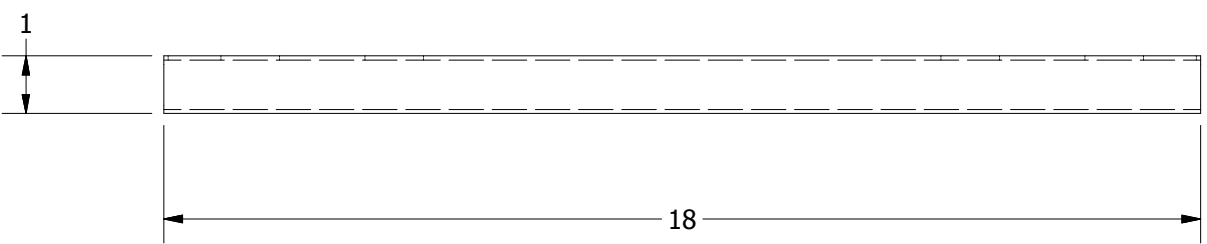
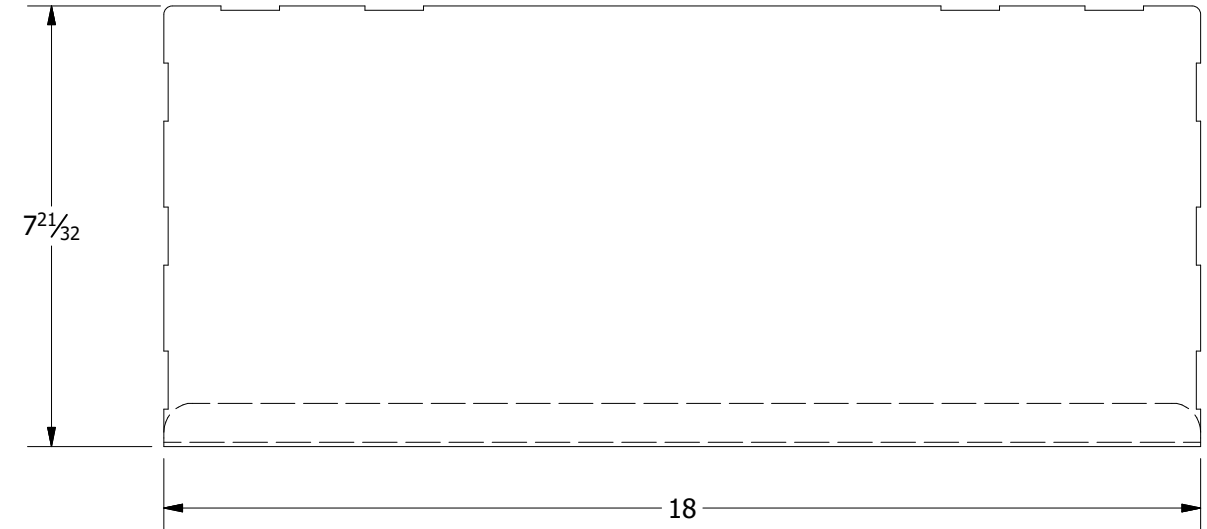
<p>THE MATERIALS AND INFORMATION CONTAINED IN THESE DOCUMENTS ARE THE SOLE PROPERTY OF SAF-T-CART. ANY DESIGN OR PRINCIPLE CONTAINED IN THE PRINTS IS CONSIDERED CONFIDENTIAL. THIS INFORMATION IS SUMMITTED TO YOU WITH AGREEMENT THAT IS IT NOT TO BE REPRODUCED, COPIED OR RELEASED IN PART OR IN WHOLE TO ANY COMPANY OR INDIVIDUAL. BY ACCEPTING THIS DOCUMENT YOU ARE AGREEING TO THE STATEMENTS ABOVE.</p> <p>DIMENSIONS ARE IN INCHES UNLESS SPECIFIED OTHERWISE DO NOT TAKE DIMENSIONS FROM DRAWING</p> <p>TOLERANCES FRACTIONS ± 1/16" ANGLES ± 0.5° X.XX ± N/A X.XXX ± N/A</p>	<p>DRAWN WELBY 6/3/2019</p>	 <p>CLARKSDALE, MS 38614 800-542-2278 http://www.saftcart.com/ DETAILED MANUFACTURING PLANS</p>	
	<p>CHECKED REID WALKER/BILLY MONFORT</p>		
	<p>QA/CWI HARVEY STURDIVANT</p>		
	<p>MFG JAMES JACO</p>		
	<p>APPROVED JIMMY WALKER</p>		
<p>ALL STRUCTURAL MEMBERS ARE ASTM A-36 CARBON STEEL U.N.O. BASED ON ASME Y14.36M-1989</p>		<p>Z11210024</p>	
<p>ALL FILLET WELDS ARE 5/16" U.N.O.</p>			
<p>SIZE B</p>	<p>MATERIAL VARIES</p>		<p>DWG NO 935-8B.drawing</p>
<p>SCALE VARIES</p>	<p>SHEET 4 OF 9</p>		



935-8B BODY
14GA SHEET (LASER/SAFAN)

<p>THE MATERIALS AND INFORMATION CONTAINED IN THESE DOCUMENTS ARE THE SOLE PROPERTY OF SAF-T-CART. ANY DESIGN OR PRINCIPLE CONTAINED IN THE PRINTS IS CONSIDERED CONFIDENTIAL. THIS INFORMATION IS SUMMITTED TO YOU WITH AGREEMENT THAT IS IT NOT TO BE REPRODUCED, COPIED OR RELEASED IN PART OR IN WHOLE TO ANY COMPANY OR INDIVIDUAL. BY ACCEPTING THIS DOCUMENT YOU ARE AGREEING TO THE STATEMENTS ABOVE.</p> <p>DIMENSIONS ARE IN INCHES UNLESS SPECIFIED OTHERWISE DO NOT TAKE DIMENSIONS FROM DRAWING</p> <p>TOLERANCES FRACTIONS ± 1/16" ANGLES ± 0.5° X.XX ± N/A X.XXX ± N/A</p>	<p>DRAWN WELBY 6/3/2019</p>	<p>SAFTCARTTM CLARKSDALE, MS 38614 800-542-2278 http://www.saftcart.com/ DETAILED MANUFACTURING PLANS</p>	
	<p>CHECKED REID WALKER/BILLY MONFORT QA/CWI</p>		
	<p>HARVEY STURDIVANT MFG</p>		
	<p>JAMES JACO APPROVED</p>		
<p>JIMMY WALKER ALL STRUCTURAL MEMBERS ARE ASTM A-36 CARBON STEEL U.N.O. BASED ON ASME Y14.36M-1989</p> <p>ALL FILLET WELDS ARE 5/16" U.N.O.</p>	<p>Z11210025</p>		
<p>SIZE B</p>	<p>MATERIAL VARIES</p>	<p>DWG NO 935-8B.drawing</p>	<p>REV</p>
<p>SCALE VARIES</p>	<p>SHEET 5 OF 9</p>		

935-8B FLOOR PLATE
14GA SHEET (LASER/SAFAN)



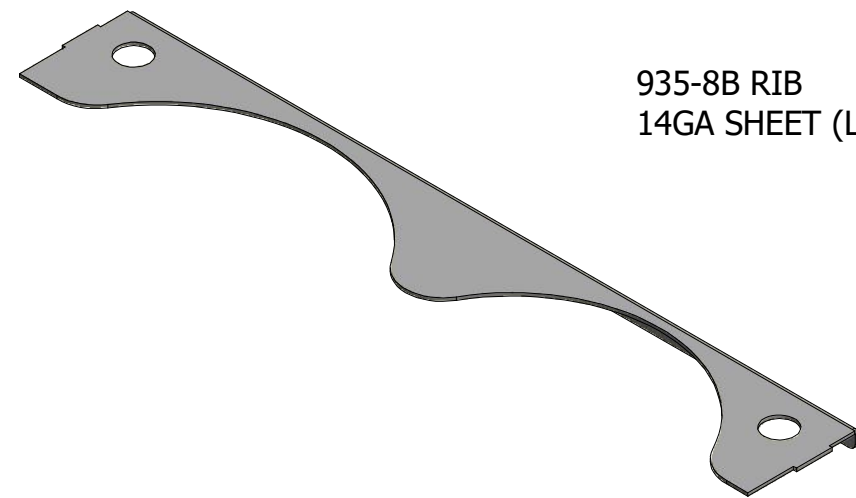
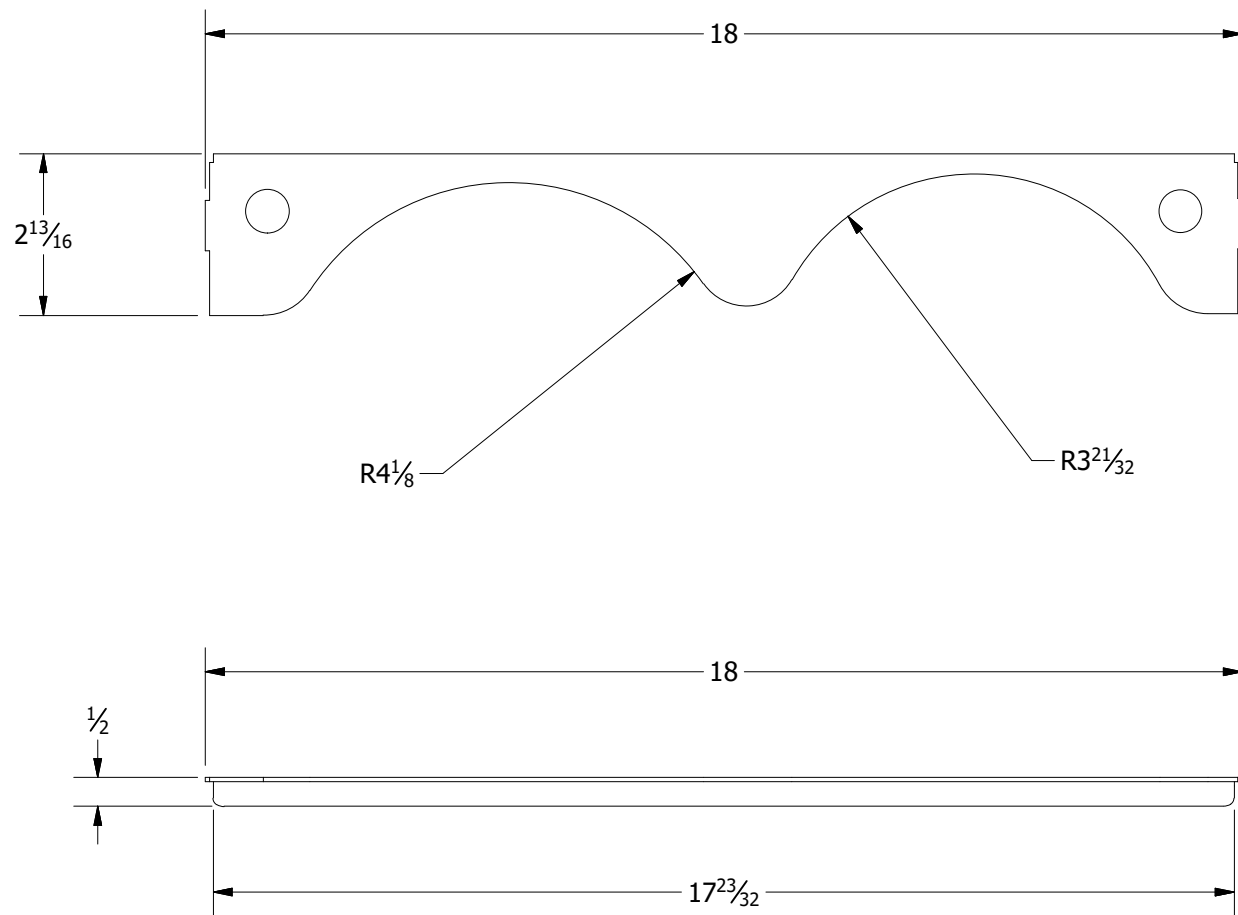
THE MATERIALS AND INFORMATION CONTAINED IN THESE DOCUMENTS ARE THE SOLE PROPERTY OF SAF-T-CART. ANY DESIGN OR PRINCIPLE CONTAINED IN THE PRINTS IS CONSIDERED CONFIDENTIAL. THIS INFORMATION IS SUMMITTED TO YOU WITH AGREEMENT THAT IS IT NOT TO BE REPRODUCED, COPIED OR RELEASED IN PART OR IN WHOLE TO ANY COMPANY OR INDIVIDUAL. BY ACCEPTING THIS DOCUMENT YOU ARE AGREEING TO THE STATEMENTS ABOVE.

DIMENSIONS ARE IN INCHES UNLESS SPECIFIED OTHERWISE DO NOT TAKE DIMENSIONS FROM DRAWING
TOLERANCES
FRACTIONS $\pm 1/16"$
ANGLES $\pm 0.5^\circ$
X.XX \pm N/A
X.XXX \pm N/A

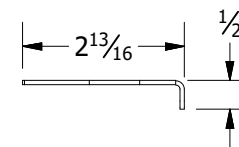
DRAWN	WELBY	6/3/2019
CHECKED	REID WALKER/BILLY MONFORT	
QA/CWI	HARVEY STURDIVANT	
MFG	JAMES JACO	
APPROVED	JIMMY WALKER	
ALL STRUCTURAL MEMBERS ARE ASTM A-36 CARBON STEEL U.N.O. BASED ON ASME Y14.36M-1989		
ALL FILLET WELDS ARE 5/16" U.N.O.		

SAFTCART^{T.M.}
CLARKSDALE, MS 38614
800-542-2278
<http://www.saftcart.com/>
DETAILED MANUFACTURING PLANS

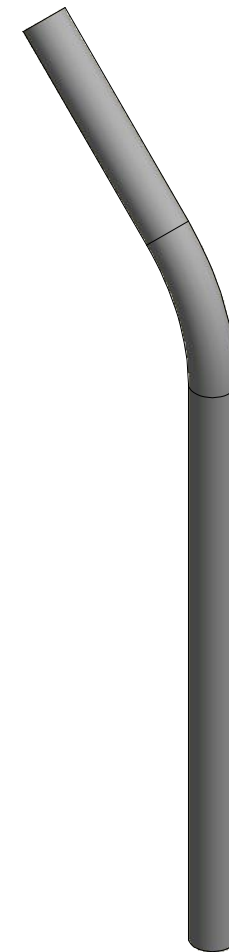
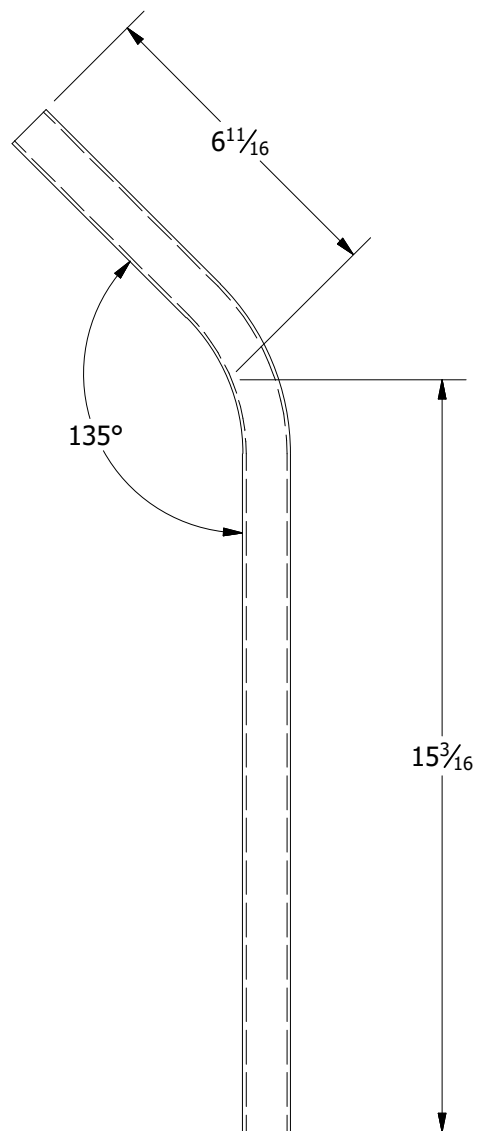
Z11210026			
SIZE	MATERIAL	DWG NO	REV
B	VARIES	935-8B.drawing	
SCALE	VARIES		SHEET 6 OF 9



935-8B RIB
14GA SHEET (LASER/SAFAN)



<p>THE MATERIALS AND INFORMATION CONTAINED IN THESE DOCUMENTS ARE THE SOLE PROPERTY OF SAF-T-CART. ANY DESIGN OR PRINCIPLE CONTAINED IN THE PRINTS IS CONSIDERED CONFIDENTIAL. THIS INFORMATION IS SUMMITTED TO YOU WITH AGREEMENT THAT IS IT NOT TO BE REPRODUCED, COPIED OR RELEASED IN PART OR IN WHOLE TO ANY COMPANY OR INDIVIDUAL. BY ACCEPTING THIS DOCUMENT YOU ARE AGREEING TO THE STATEMENTS ABOVE.</p> <p>DIMENSIONS ARE IN INCHES UNLESS SPECIFIED OTHERWISE DO NOT TAKE DIMENSIONS FROM DRAWING</p> <p>TOLERANCES FRACTIONS ± 1/16" ANGLES ± 0.5° X.XX ± N/A X.XXX ± N/A</p>	<p>DRAWN WELBY 6/3/2019</p>	<p>SAFTCARTTM CLARKSDALE, MS 38614 800-542-2278 http://www.saftcart.com/ DETAILED MANUFACTURING PLANS</p>								
	<p>CHECKED REID WALKER/BILLY MONFORT</p>									
	<p>QA/CWI HARVEY STURDIVANT</p>									
	<p>MFG JAMES JACO</p>									
<p>APPROVED JIMMY WALKER</p> <p>ALL STRUCTURAL MEMBERS ARE ASTM A-36 CARBON STEEL U.N.O. BASED ON ASME Y14.36M-1989</p> <p>ALL FILLET WELDS ARE 5/16" U.N.O.</p>	<p>Z11210027</p>	<table border="1"> <tr> <td>SIZE B</td> <td>MATERIAL VARIES</td> <td>DWG NO 935-8B.drawing</td> <td>REV</td> </tr> <tr> <td>SCALE VARIES</td> <td colspan="2"></td> <td>SHEET 7 OF 9</td> </tr> </table>	SIZE B	MATERIAL VARIES	DWG NO 935-8B.drawing	REV	SCALE VARIES			SHEET 7 OF 9
SIZE B	MATERIAL VARIES	DWG NO 935-8B.drawing	REV							
SCALE VARIES			SHEET 7 OF 9							



920-6B OR 935-8B HANDLE
 1" ROUND TUBE 14GA
 22-1/2" BEFORE BEND

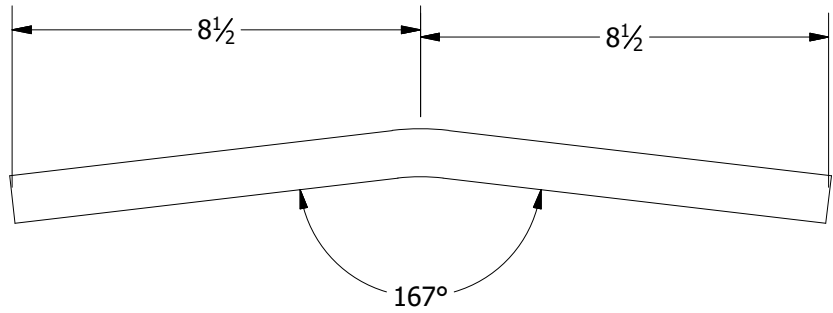
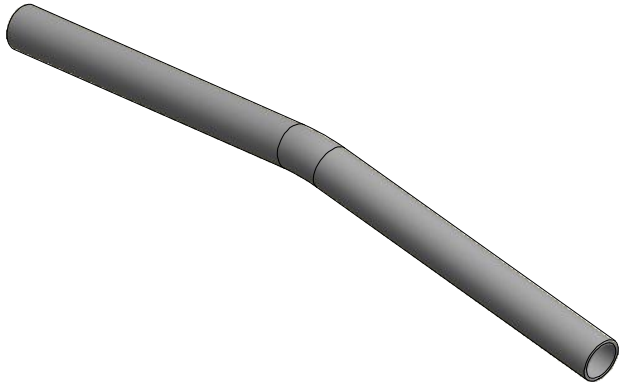
<p>THE MATERIALS AND INFORMATION CONTAINED IN THESE DOCUMENTS ARE THE SOLE PROPERTY OF SAF-T-CART. ANY DESIGN OR PRINCIPLE CONTAINED IN THE PRINTS IS CONSIDERED CONFIDENTIAL. THIS INFORMATION IS SUMMITTED TO YOU WITH AGREEMENT THAT IS IT NOT TO BE REPRODUCED, COPIED OR RELEASED IN PART OR IN WHOLE TO ANY COMPANY OR INDIVIDUAL. BY ACCEPTING THIS DOCUMENT YOU ARE AGREEING TO THE STATEMENTS ABOVE.</p> <p>DIMENSIONS ARE IN INCHES UNLESS SPECIFIED OTHERWISE DO NOT TAKE DIMENSIONS FROM DRAWING</p> <p>TOLERANCES FRACTIONS ± 1/16" ANGLES ± 0.5° X.XX ± N/A X.XXX ± N/A</p>	<p>DRAWN WELBY 6/3/2019</p>
	<p>CHECKED REID WALKER/BILLY MONFORT</p>
	<p>QA/CWI HARVEY STURDIVANT</p>
	<p>MFG JAMES JACO</p>
<p>APPROVED JIMMY WALKER</p>	<p>ALL STRUCTURAL MEMBERS ARE ASTM A-36 CARBON STEEL U.N.O. BASED ON ASME Y14.36M-1989</p>
<p>ALL FILLET WELDS ARE 5/16" U.N.O.</p>	

CLARKSDALE, MS 38614
 800-542-2278
<http://www.saftcart.com/>
 DETAILED MANUFACTURING PLANS

Z31210006

SIZE B	MATERIAL VARIES	DWG NO 935-8B.drawing	REV
SCALE	SHEET 8 OF 9		

935-8B "T" HANDLE
 1" ROUND TUBE 14GA
 17" BEFORE BEND



THE MATERIALS AND INFORMATION CONTAINED IN THESE DOCUMENTS ARE THE SOLE PROPERTY OF SAF-T-CART. ANY DESIGN OR PRINCIPLE CONTAINED IN THE PRINTS IS CONSIDERED CONFIDENTIAL. THIS INFORMATION IS SUMMITTED TO YOU WITH AGREEMENT THAT IS IT NOT TO BE REPRODUCED, COPIED OR RELEASED IN PART OR IN WHOLE TO ANY COMPANY OR INDIVIDUAL. BY ACCEPTING THIS DOCUMENT YOU ARE AGREEING TO THE STATEMENTS ABOVE.

DIMENSIONS ARE IN INCHES UNLESS SPECIFIED OTHERWISE DO NOT TAKE DIMENSIONS FROM DRAWING

TOLERANCES
 FRACTIONS ± 1/16"
 ANGLES ± 0.5°
 X.XX ± N/A
 X.XXX ± N/A

DRAWN		
WELBY		6/3/2019
CHECKED		
REID WALKER/BILLY MONFORT		
QA/CWI		
HARVEY STURDIVANT		
MFG		
JAMES JACO		
APPROVED		
JIMMY WALKER		
ALL STRUCTURAL MEMBERS ARE ASTM A-36 CARBON STEEL U.N.O. BASED ON ASME Y14.36M-1989		
ALL FILLET WELDS ARE 5/16" U.N.O.		



Z31210008

SIZE	MATERIAL	DWG NO	REV
B	VARIES	935-8B.drawing	
SCALE	VARIES	SHEET 9 OF 9	