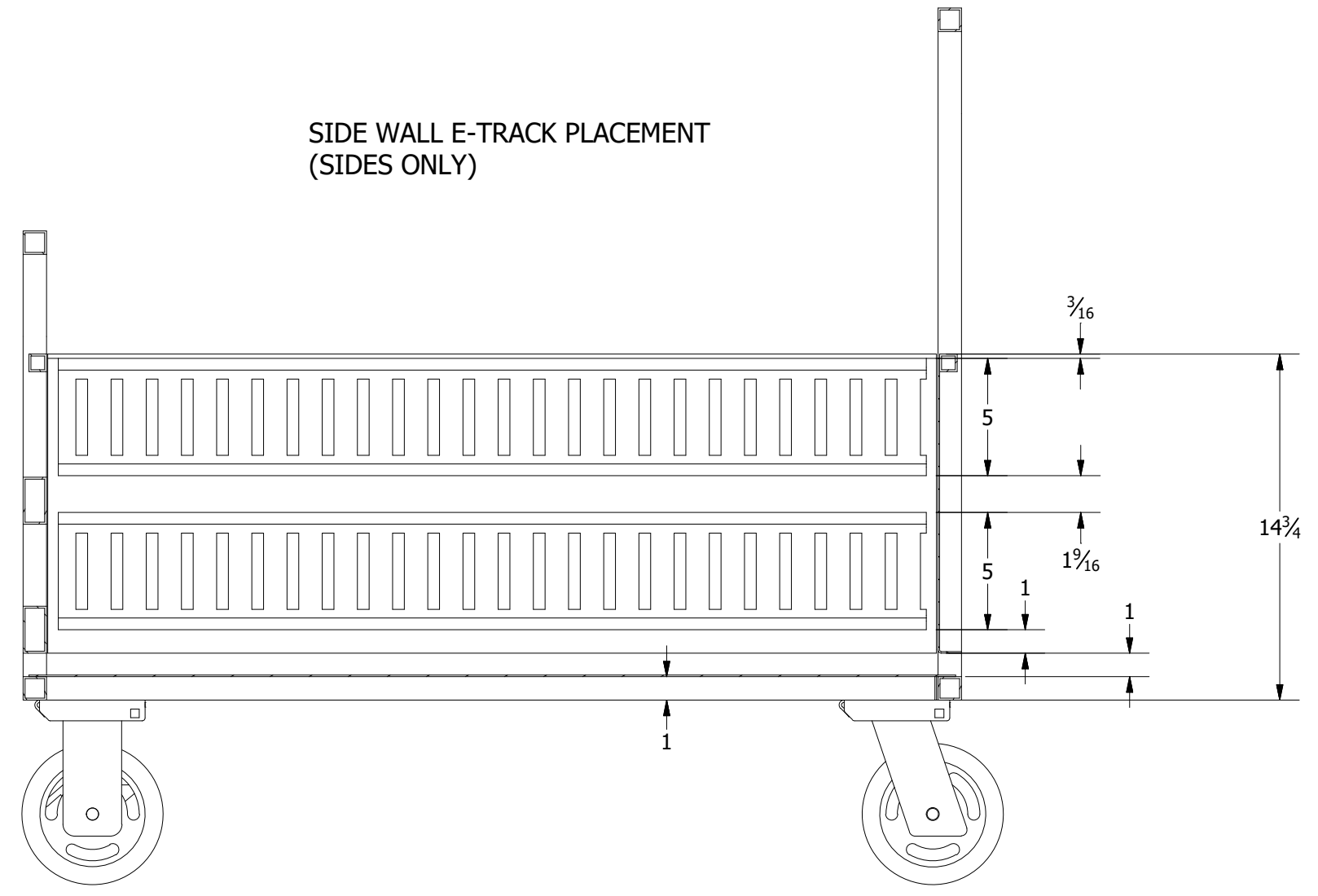


<p>THE MATERIALS AND INFORMATION CONTAINED IN THESE DOCUMENTS ARE THE SOLE PROPERTY OF SAF-T-CART. ANY DESIGN OR PRINCIPLE CONTAINED IN THE PRINTS IS CONSIDERED CONFIDENTIAL. THIS INFORMATION IS SUMMITTED TO YOU WITH AGREEMENT THAT IS IT NOT TO BE REPRODUCED, COPIED OR RELEASED IN PART OR IN WHOLE TO ANY COMPANY OR INDIVIDUAL. BY ACCEPTING THIS DOCUMENT YOU ARE AGREEING TO THE STATEMENTS ABOVE.</p> <p>DIMENSIONS ARE IN INCHES UNLESS SPECIFIED OTHERWISE DO NOT TAKE DIMENSIONS FROM DRAWING</p> <p>TOLERANCES FRACTIONS ± 1/16" ANGLES ± 0.5° X.XX ± N/A X.XXX ± N/A</p>	<p>DRAWN Cortney</p>	6/14/2019
	<p>CHECKED REID WALKER/BILLY MONFORT</p>	
	<p>QA/CWI HARVEY STURDIVANT</p>	
	<p>MFG JAMES JACO</p>	
	<p>APPROVED JIMMY WALKER</p>	
	<p>ALL STRUCTURAL MEMBERS ARE ASTM A-36 CARBON STEEL U.N.O. BASED ON ASME Y14.36M-1989</p>	
	<p>ALL FILLET WELDS ARE 5/16" U.N.O.</p>	

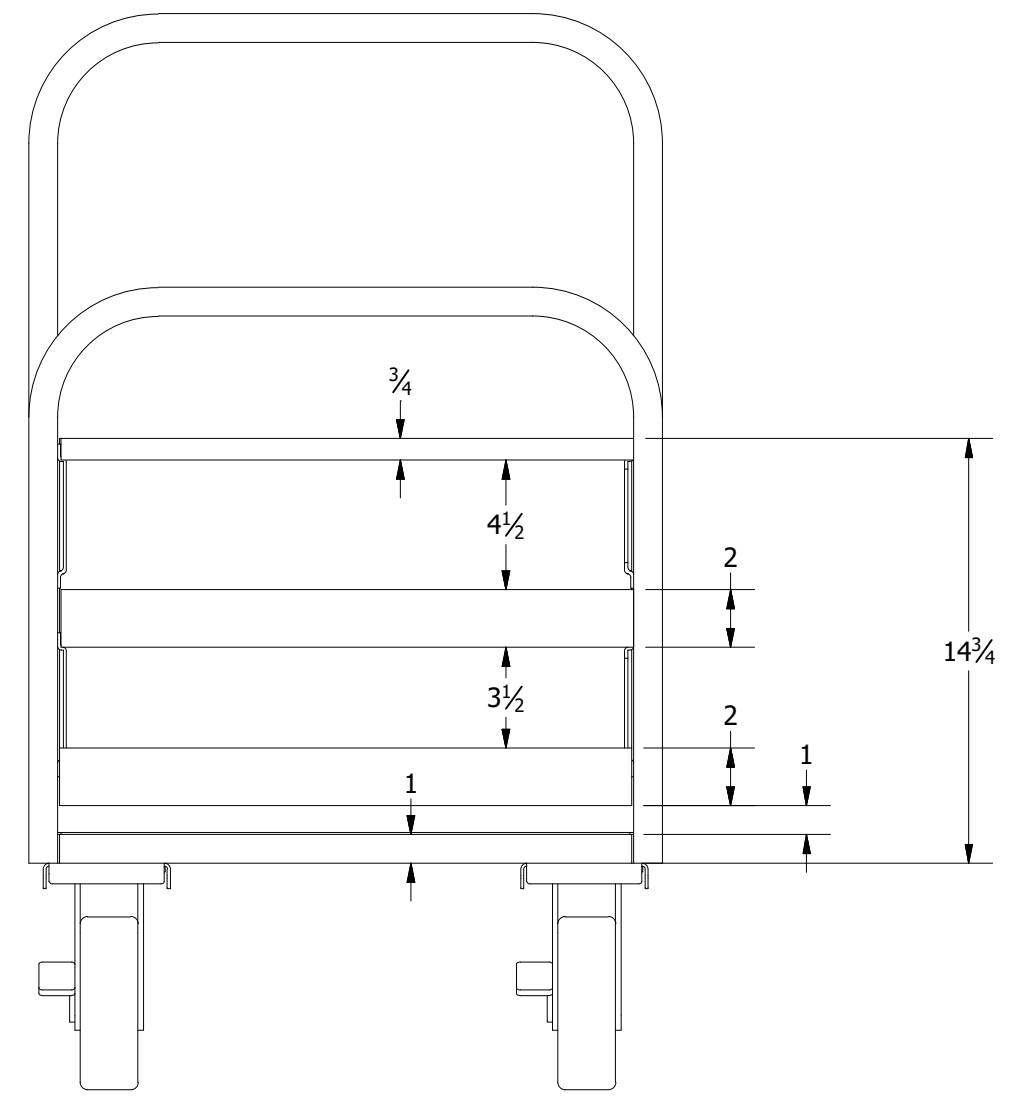
SAFTCARTTM
 CLARKSDALE, MS 38614
 800-542-2278
<http://www.saftcart.com/>
 DETAILED MANUFACTURING PLANS

UTILITY WAGON			
SIZE	MATERIAL	DWG NO	REV
B	VARIES	UTILITY WAGON.drawing	
SCALE	VARIES		SHEET 1 OF 2

SIDE WALL E-TRACK PLACEMENT
(SIDES ONLY)



FRONT FRAME TUBE PLACEMENT
(HANDLE SIDE GETS PLAIN PANEL - NO E TRACK)



THE MATERIALS AND INFORMATION CONTAINED IN THESE DOCUMENTS ARE THE SOLE PROPERTY OF SAF-T-CART. ANY DESIGN OR PRINCIPLE CONTAINED IN THE PRINTS IS CONSIDERED CONFIDENTIAL. THIS INFORMATION IS SUMMITTED TO YOU WITH AGREEMENT THAT IS IT NOT TO BE REPRODUCED, COPIED OR RELEASED IN PART OR IN WHOLE TO ANY COMPANY OR INDIVIDUAL. BY ACCEPTING THIS DOCUMENT YOU ARE AGREEING TO THE STATEMENTS ABOVE.

DIMENSIONS ARE IN INCHES UNLESS SPECIFIED OTHERWISE DO NOT TAKE DIMENSIONS FROM DRAWING

TOLERANCES
FRACTIONS ± 1/16"
ANGLES ± 0.5°
X.XX ± N/A
X.XXX ± N/A

DRAWN
Cortney 6/14/2019

CHECKED
REID WALKER/BILLY MONFORT

QA/CWI
HARVEY STURDIVANT

MFG
JAMES JACO

APPROVED
JIMMY WALKER

ALL STRUCTURAL MEMBERS ARE ASTM A-36 CARBON STEEL U.N.O. BASED ON ASME Y14.36M-1989

ALL FILLET WELDS ARE 5/16" U.N.O.

CLARKSDALE, MS 38614
800-542-2278
<http://www.saftcart.com/>
DETAILED MANUFACTURING PLANS

UTILITY WAGON			
SIZE B	MATERIAL VARIES	DWG NO UTILITY WAGON.drawing	REV
SCALE VARIES	SHEET 2 OF 2		