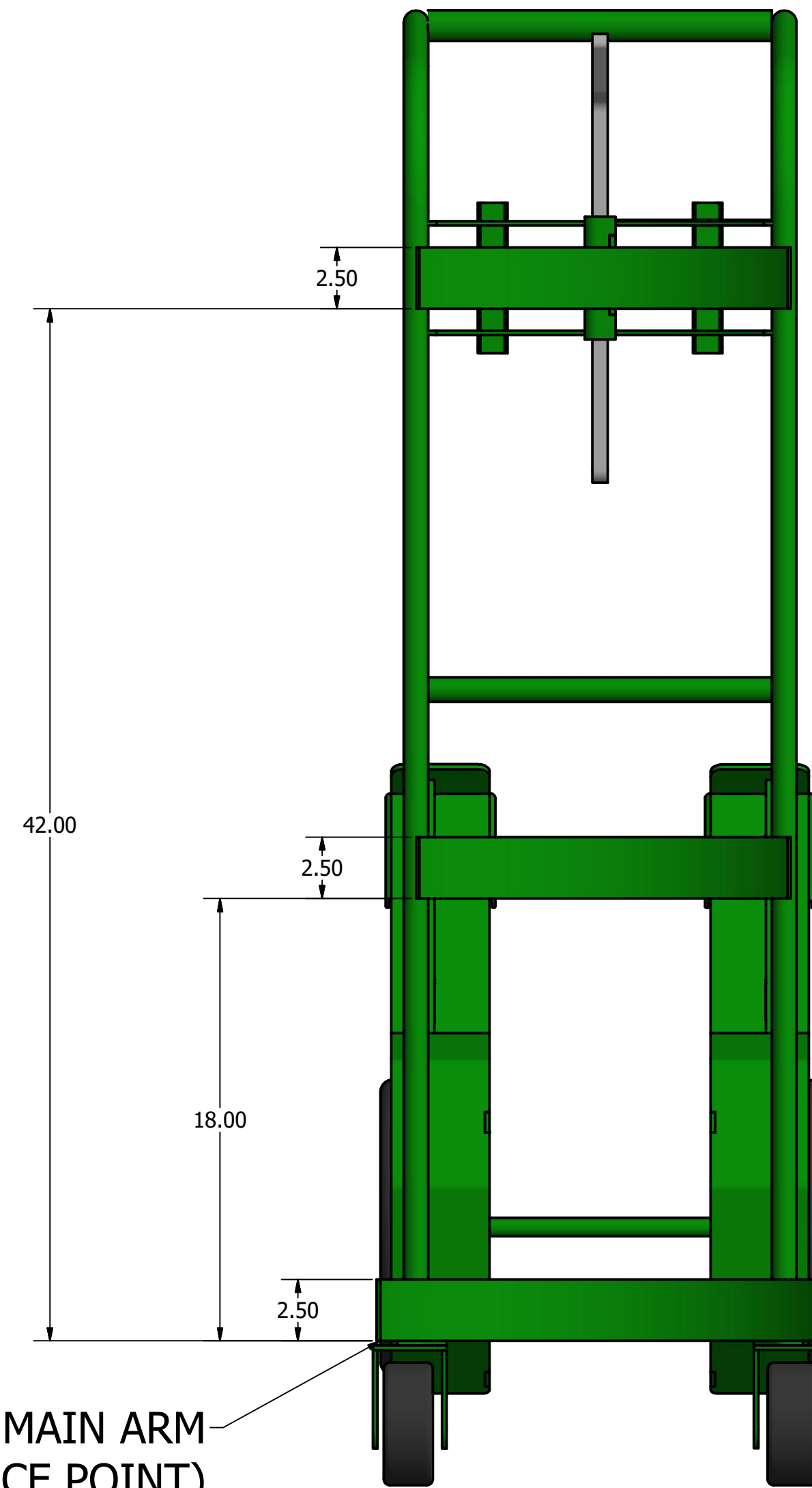
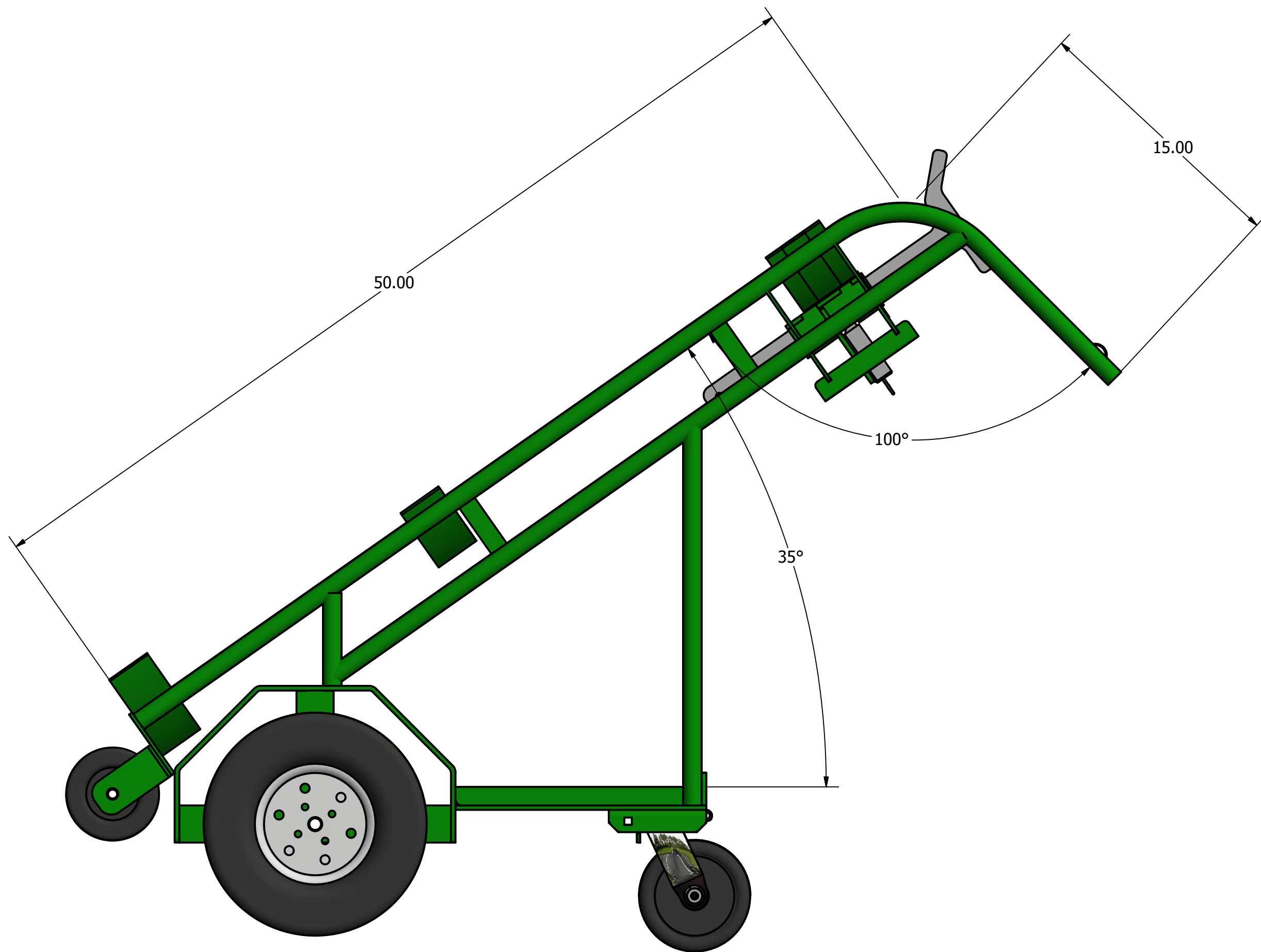
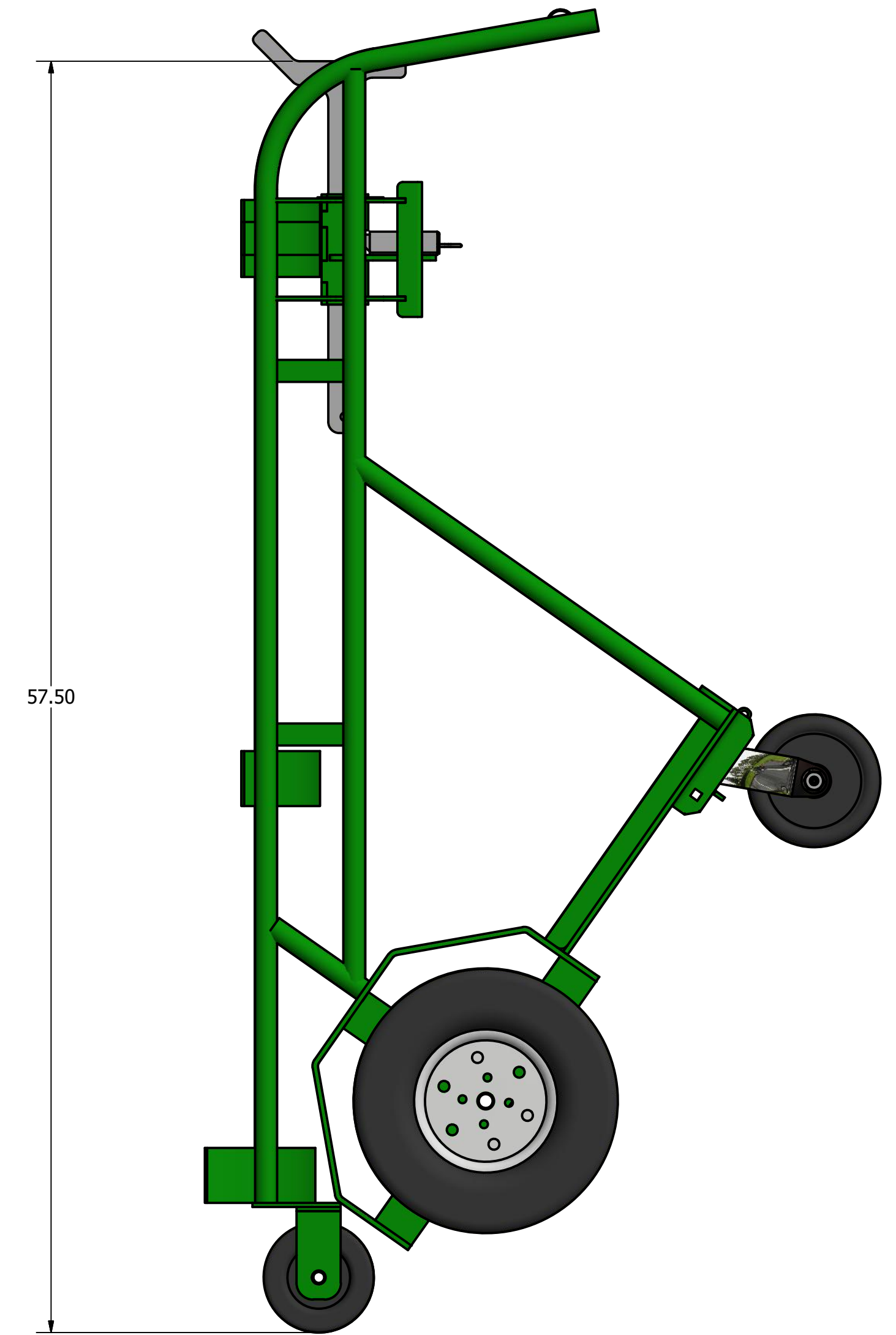


**TOP OF HOOK RANGES 53" TO 62"
(HOOK MOVES IN .5" INCREMENTS OVER 9")**



MAIN ARM
(REFERENCE POINT)



MAX LOAD CAPACITY = 1000 LBS
MAX GROSS WEIGHT = 1130 LBS
TEAR WEIGHT = 130

DRAWN	7/26/2016		
COURT		TITLE	
CHECKED			
QA			
MFG			
APPROVED			
		SIZE	DWG NO
		D	LCT-12-6
		SCALE	REV
		.1875	
			SHEET 1 OF 2

LCT GEAR HOOK - .625" PLATE
(WITH PIN STOP AT BOTTOM)

**ADJUSTED CUT-OUT POSITION
ON 8-1-16 (TG SUGGESTED)**

STANDARD UPPER BAND

LCT HOOK PLATFORM- 7GA

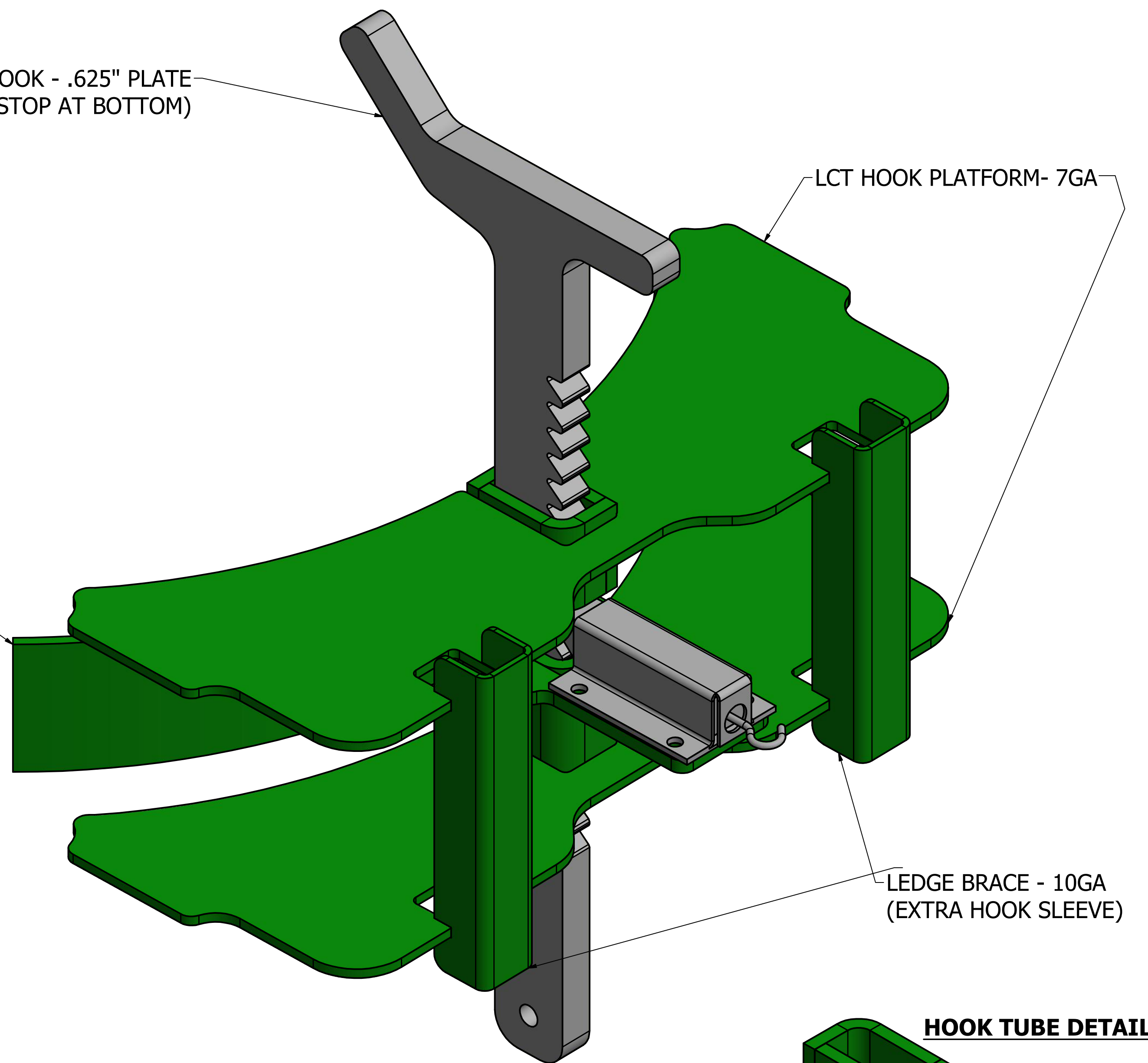
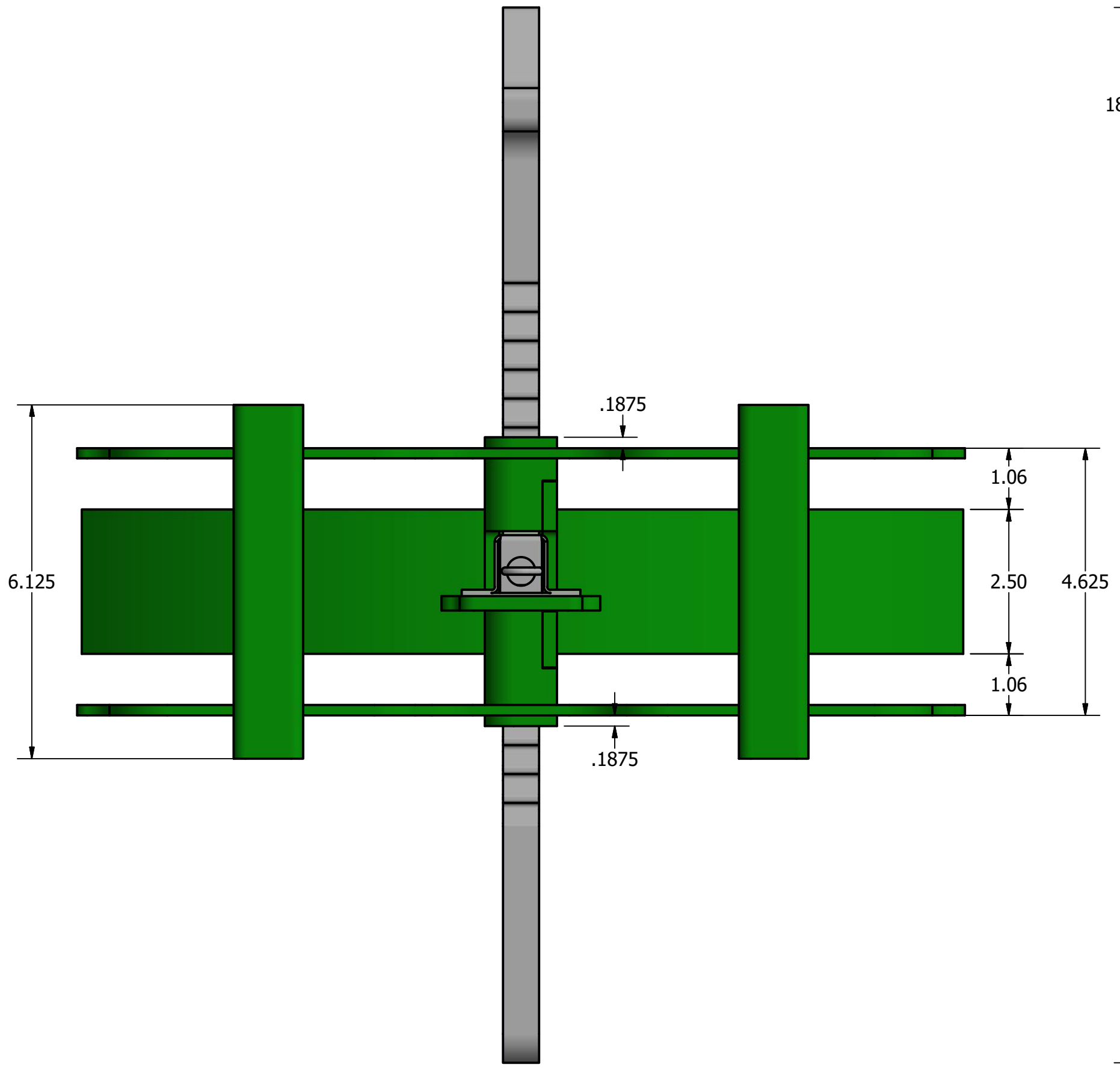
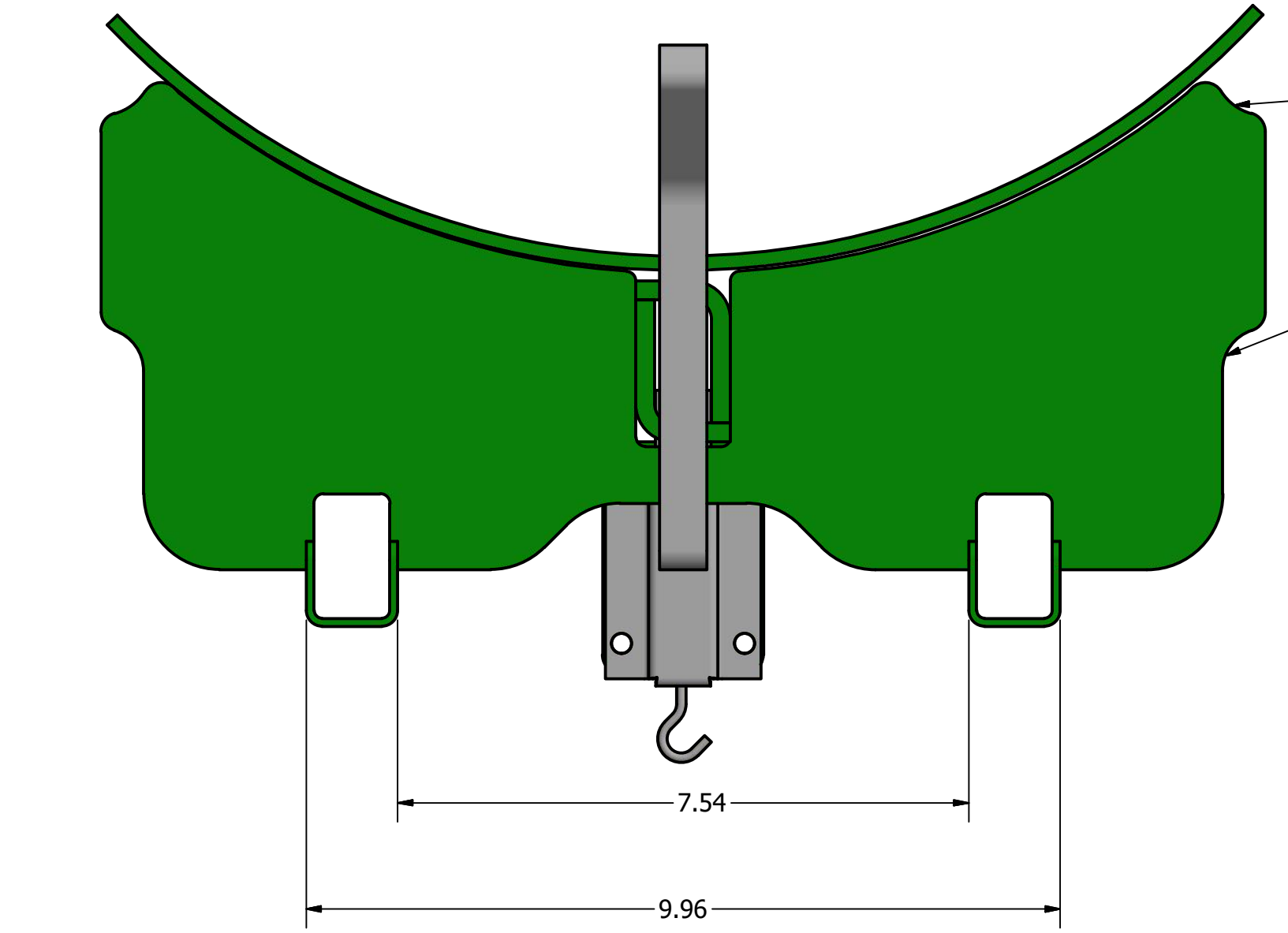
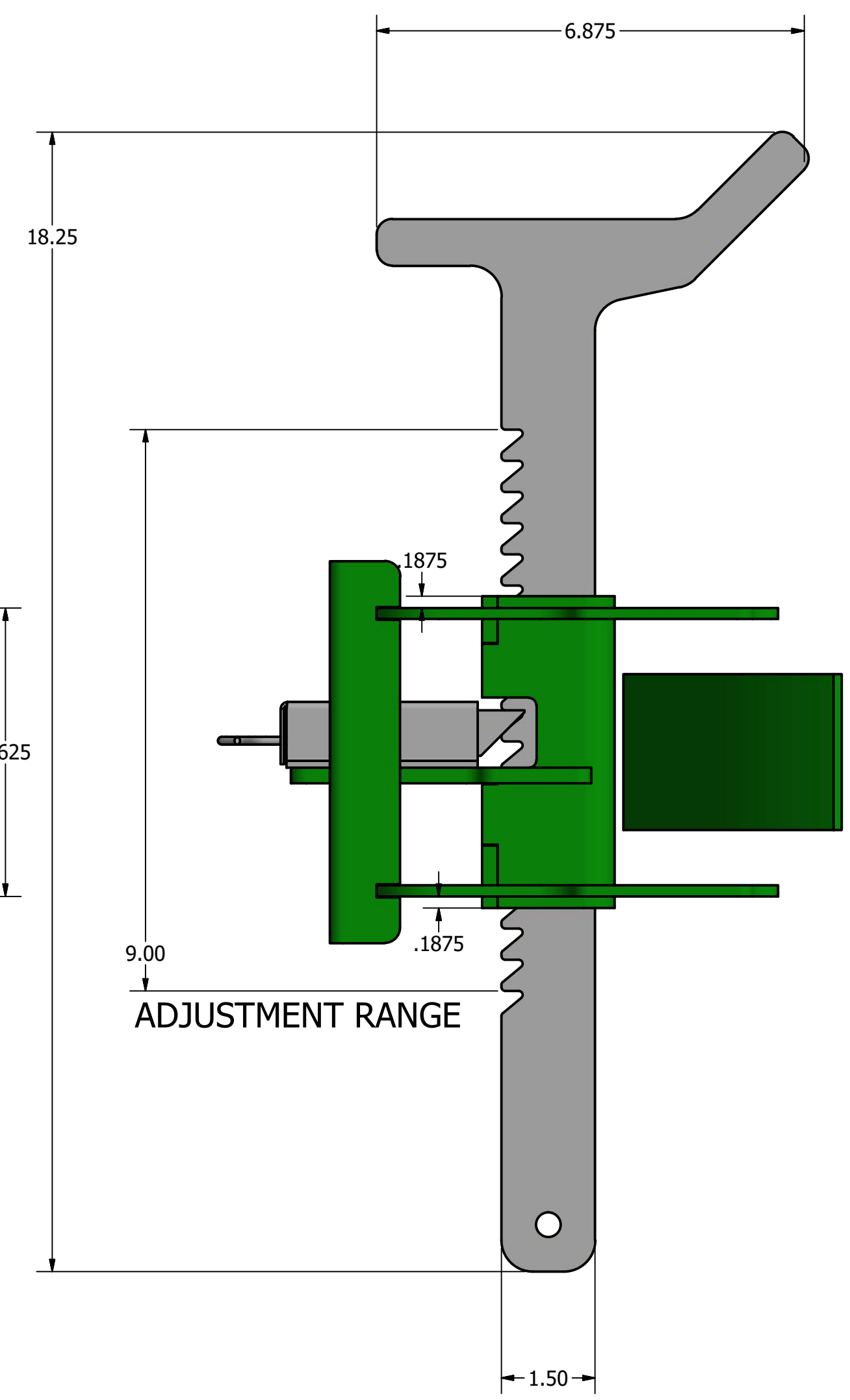
LEDGE BRACE - 10GA
(EXTRA HOOK SLEEVE)

HOOK TUBE DETAIL

MAIN PT1 - .25" PLATE

LATCH LEDGE - .25" PLATE

MAIN PT2 - .25" PLATE



MAX LOAD CAPACITY = 1000 LBS
MAX GROSS WEIGHT = 1130 LBS
TEAR WEIGHT = 130

DRAWN	court	7/26/2016	TITLE	
CHECKED				
QA				
MFG				
APPROVED				
			SIZE	DWG NO
			D	LCT-12-6
			SCALE	REV
			.75	
			SHEET 2 OF 2	