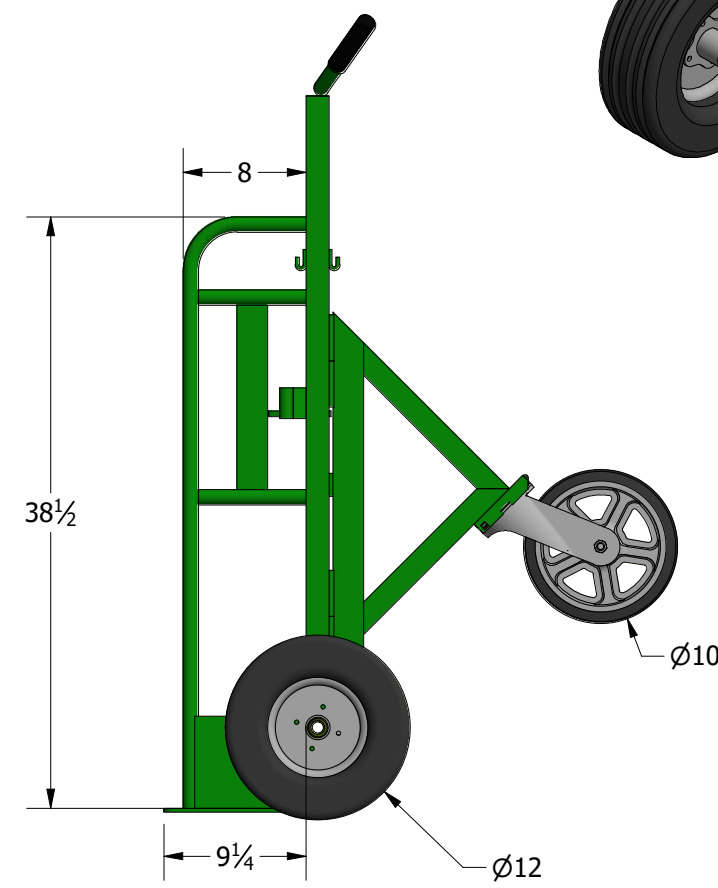
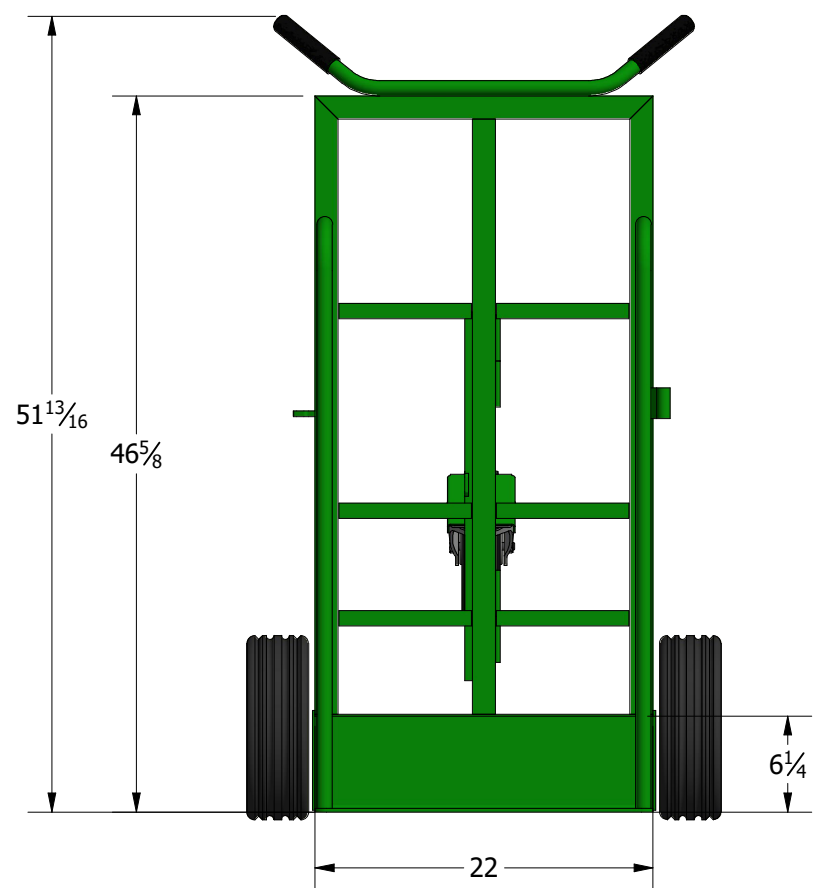
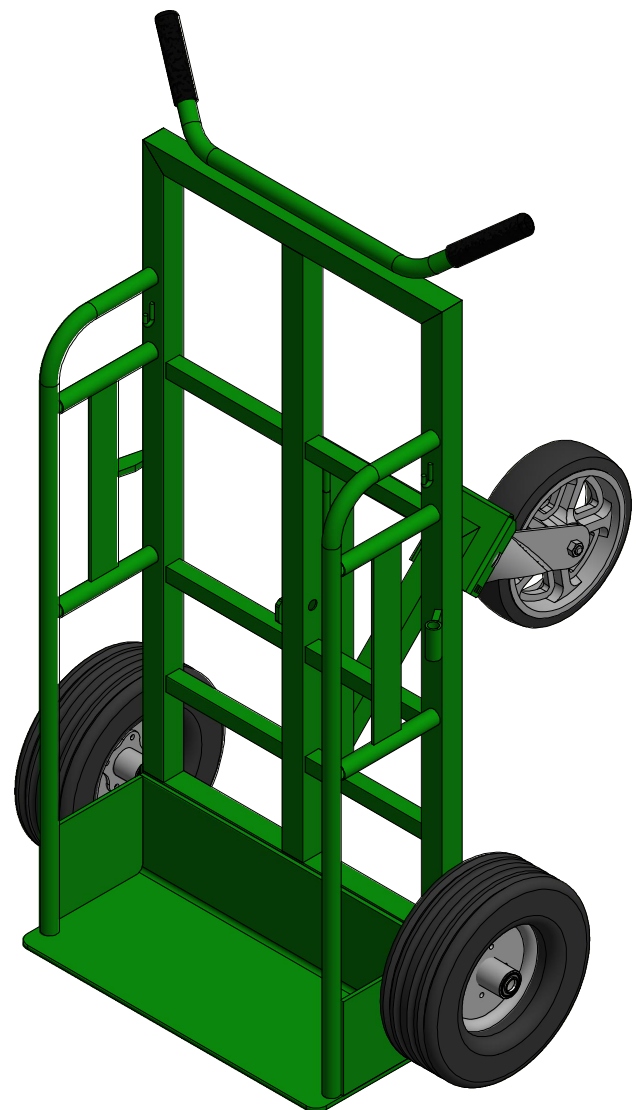
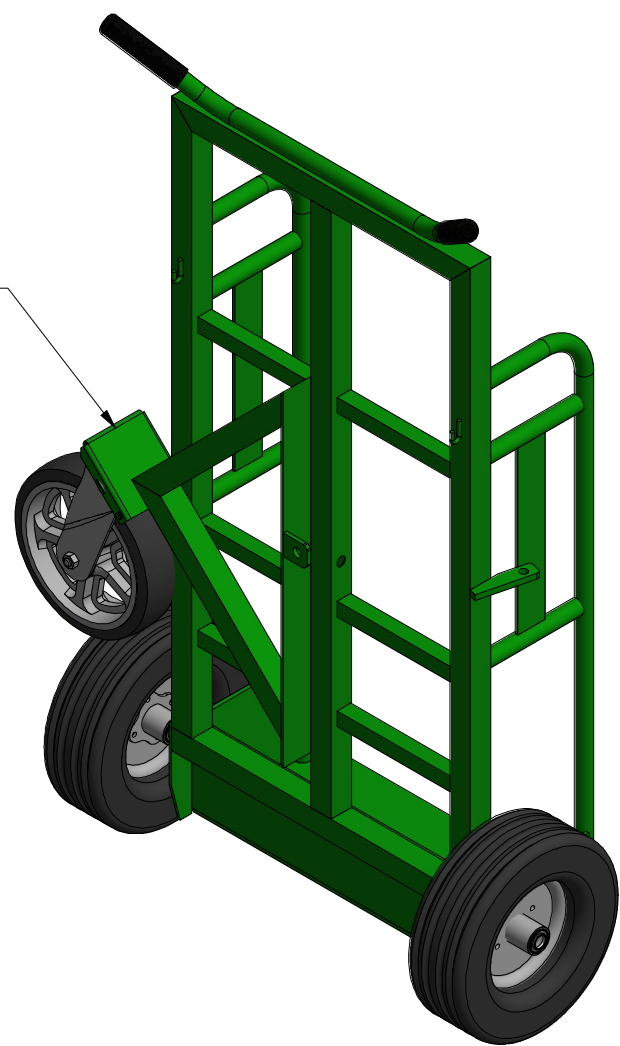


shown with rear
caster folded



<p>THE MATERIALS AND INFORMATION CONTAINED IN THESE DOCUMENTS ARE THE SOLE PROPERTY OF SAF-T-CART. ANY DESIGN OR PRINCIPLE CONTAINED IN THE PRINTS IS CONSIDERED CONFIDENTIAL. THIS INFORMATION IS SUMMITTED TO YOU WITH AGREEMENT THAT IS IT NOT TO BE REPRODUCED, COPIED OR RELEASED IN PART OR IN WHOLE TO ANY COMPANY OR INDIVIDUAL. BY ACCEPTING THIS DOCUMENT YOU ARE AGREEING TO THE STATEMENTS ABOVE.</p> <p>DIMENSIONS ARE IN INCHES UNLESS SPECIFIED OTHERWISE DO NOT TAKE DIMENSIONS FROM DRAWING</p> <p>TOLERANCES FRACTIONS ± 1/16" ANGLES ± 0.5° X.XX ± N/A X.XXX ± N/A</p>	<p>DRAWN COURTNEY HAYS 5/19/2021</p>
	<p>CHECKED REID WALKER/BILLY MONFORT QA/CWI</p>
	<p>HARVEY STURDIVANT MFG</p>
	<p>JAMES JACO APPROVED JIMMY WALKER</p>
<p>ALL STRUCTURAL MEMBERS ARE ASTM A-36 CARBON STEEL U.N.O. BASED ON ASME Y14.36M-1989</p> <p>ALL FILLET WELDS ARE 5/16" U.N.O.</p>	

SAFTCART™
 CLARKSDALE, MS 38614
 800-542-2278
<http://www.saftcart.com/>
 DETAILED MANUFACTURING PLANS

730-12F

SIZE B	MATERIAL VARIES	DWG NO 730-12F	REV
SCALE VARIES	SHEET 1 OF 1		