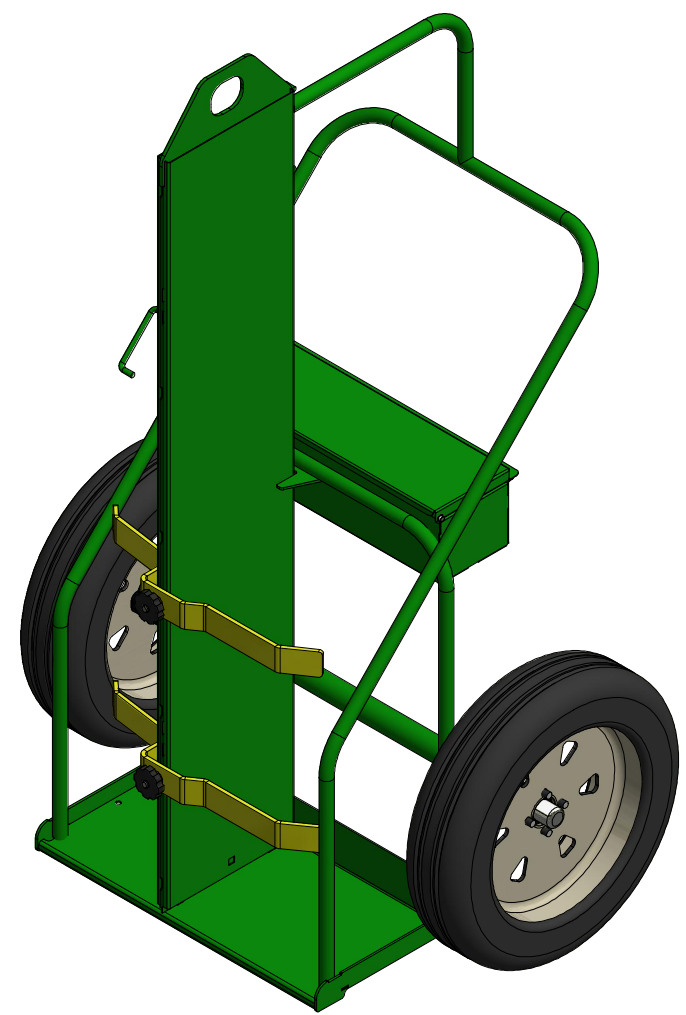



PNEUMATIC TRAILER TIRE



<p>THE MATERIALS AND INFORMATION CONTAINED IN THESE DOCUMENTS ARE THE SOLE PROPERTY OF SAF-T-CART. ANY DESIGN OR PRINCIPLE CONTAINED IN THE PRINTS IS CONSIDERED CONFIDENTIAL. THIS INFORMATION IS SUMMITTED TO YOU WITH AGREEMENT THAT IS IT NOT TO BE REPRODUCED, COPIED OR RELEASED IN PART OR IN WHOLE TO ANY COMPANY OR INDIVIDUAL. BY ACCEPTING THIS DOCUMENT YOU ARE AGREEING TO THE STATEMENTS ABOVE.</p> <p>DIMENSIONS ARE IN INCHES UNLESS SPECIFIED OTHERWISE DO NOT TAKE DIMENSIONS FROM DRAWING</p> <p>TOLERANCES FRACTIONS ± 1/16" ANGLES ± 0.5° X.XX ± N/A X.XXX ± N/A</p>	<p>DRAWN COURTNEY HAYS 12/4/2020</p>
	<p>CHECKED REID WALKER/BILLY MONFORT QA/CWI</p>
	<p>HARVEY STURDIVANT MFG</p>
	<p>JAMES JACO APPROVED</p>
<p>JIMMY WALKER ALL STRUCTURAL MEMBERS ARE ASTM A-36 CARBON STEEL U.N.O. BASED ON ASME Y14.36M-1989</p> <p>ALL FILLET WELDS ARE 5/16" U.N.O.</p>	



CLARKSDALE, MS 38614
800-542-2278
<http://www.saftcart.com/>
DETAILED MANUFACTURING PLANS

554-30FW			
SIZE	MATERIAL	DWG NO	REV
B	VARIES	554-30FW	
SCALE	VARIES		SHEET 1 OF 1